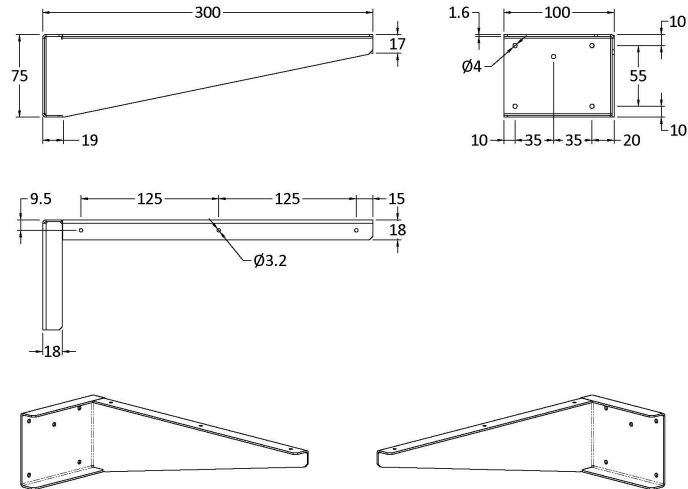
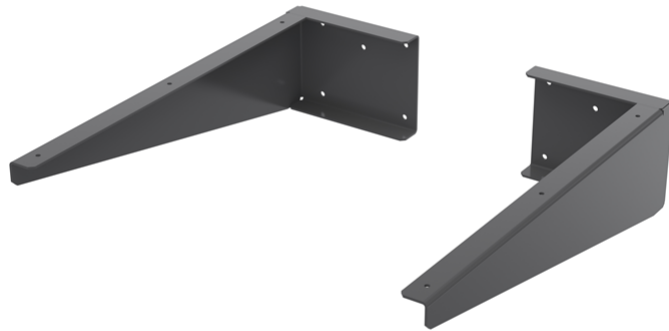


Sales Code: 154048SB

Description: Shelf Support Brackets (Pair L/R)



Product Dimensions

Height (mm):	75
Width (mm):	100
Depth (mm):	300
Nett Weight (kg):	0.7

Packaging Dimensions

Height (mm):	90
Width (mm):	130
Depth (mm):	330
Gross Weight (kg):	0.72

Packaging Data

Box Colour:	
Box Qty:	
Label Size:	x
Label Colour:	
Label Qty:	

Outer Box Dimensions (If Applicable)

Height (mm):	
Width (mm):	
Depth (mm):	
Gross Weight (kg):	
Barcode:	5056462654942

Product Details

Country of Origin:	China
Fitting Instruction:	No
CE & UKCA:	
FSC Certified Materials:	
Colour:	
Construction Method:	
Construction Type:	
Cabinet Finish:	
Fascia Finish:	
Cabinet Thickness (mm):	
Fascia Thickness (mm):	
Drawer Included:	
Drawer Type:	
No of Shelves:	
Hinge Type:	
Hinge Included:	
Adjustable Legs:	
Fixings Included:	
Handle Style:	
Waste Shroud:	
Handle Included:	
Handle Type:	