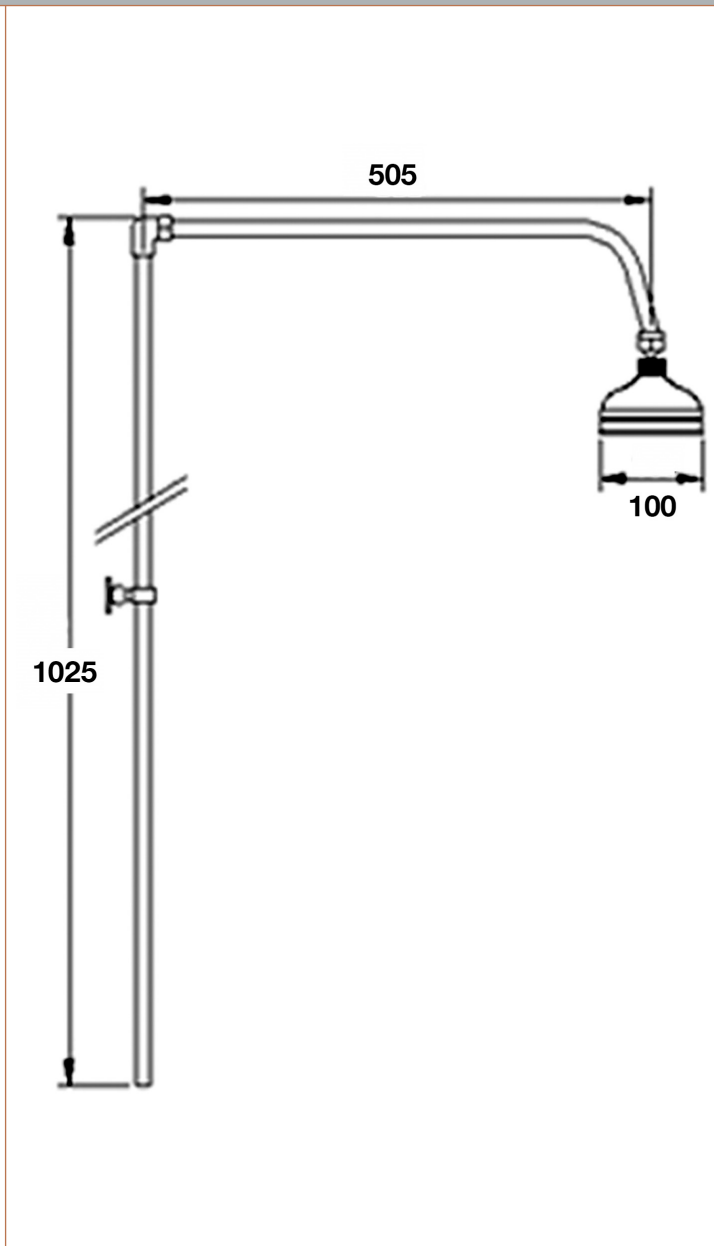
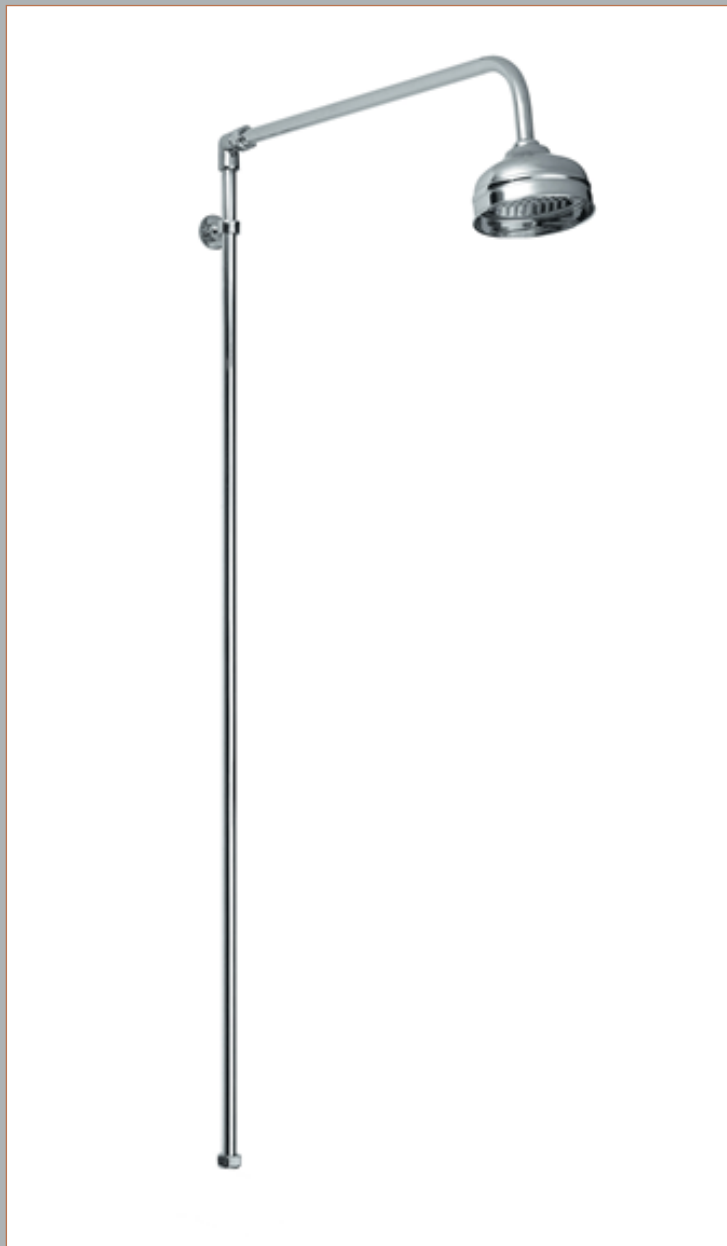


Sales Code: A3170

Description: Rigid Riser Kit



Product Dimensions	
Length (mm):	
Width (mm):	100
Height (mm):	1025
Depth (mm):	570
Nett Weight (kg):	1.6
Packaging Dimensions	
Length (mm):	1080
Width (mm):	130
Height (mm):	75
Gross Weight (kg):	1.63
Packaging Data	
Box Colour:	White Cardboard Box
Box Qty:	1
Label Size:	100 x 50
Label Colour:	White Label
Label Qty:	2
Outer Box Dimensions (If Applicable)	
Length (mm):	
Width (mm):	
Height (mm):	
Depth (mm):	
Gross Weight (kg):	16
Barcode:	5055146100706
Product Details	
Country of Origin:	China
Fitting Instruction:	No
Product Material:	Brass
Mount Type:	Wall, Surface
Outlet Elbow Supplied:	No
Easy Clean:	No
Head Included:	Yes
Handset Included:	No
Body Jets Included:	No
No of Body Jets:	Not Applicable
Operating Pressure (bar):	0.1
Valve/Cartridge Type:	Not Applicable
Flow Rates (L/min):	0.1 bar: N/A 0.5 bar: N/A 1 bar: N/A 2 bar: N/A 3 bar: N/A
TMV2 Approved:	No Approval No: N/A
TMV3 Approved:	No Approval No: N/A
WRAS Approved:	No Approval No: N/A
Head Function:	Single
Handset Function:	Not Applicable
Body Jet Info:	Not Applicable
Pipe Size:	15 mm
Pipe Centres:	N/A
Colour/Finish:	Chrome
Hose Included:	No
No. of Outlets:	1