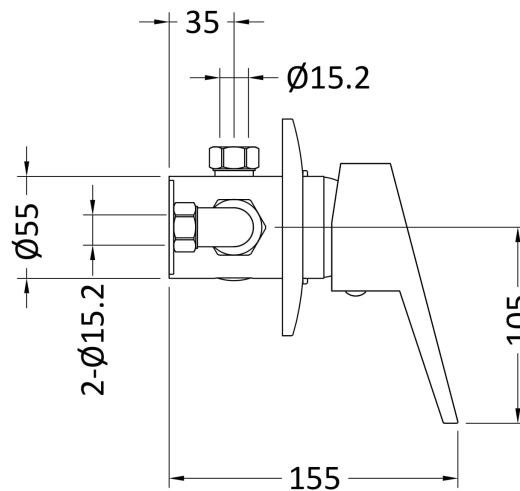
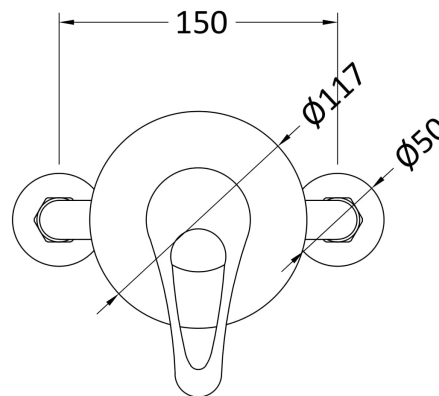


Sales Code: A3200

Description: Ocean Manual Concealed Or Exposed Valve



Product Dimensions

Length (mm):	
Width (mm):	150
Height (mm):	117
Depth (mm):	155
Nett Weight (kg):	1.72

Packaging Dimensions

Length (mm):	205
Width (mm):	120
Height (mm):	135
Gross Weight (kg):	1.72

Packaging Data

Box Colour:	White Cardboard Box
Box Qty:	1
Label Size:	100 x 50
Label Colour:	White Label
Label Qty:	2

Outer Box Dimensions (If Applicable)

Length (mm):	
Width (mm):	215
Height (mm):	285
Depth (mm):	500
Gross Weight (kg):	14
Barcode:	5055146103196

Product Details

Country of Origin:	China
Fitting Instruction:	No
Product Material:	Brass
Mount Type:	Wall, Surface
Outlet Elbow Supplied:	No
Easy Clean:	Not Applicable
Head Included:	No
Handset Included:	No
Body Jets Included:	No
No of Body Jets:	Not Applicable
Operating Pressure (bar):	0.2
Valve/Cartridge Type:	Single Lever Cartridge
Flow Rates (L/min):	0.1 bar: 5 0.5 bar: 10 1 bar: 14 2 bar: 20 3 bar: 26
TMV2 Approved:	No Approval No: N/A
TMV3 Approved:	No Approval No: N/A
WRAS Approved:	No Approval No: N/A
Head Function:	Not Applicable
Handset Function:	Not Applicable
Body Jet Info:	Not Applicable
Pipe Size:	15 mm
Pipe Centres:	150 mm
Colour/Finish:	Chrome
Hose Included:	Not Applicable
No. of Outlets:	1