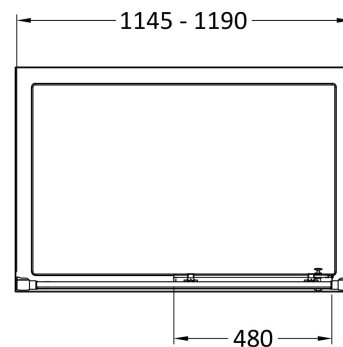
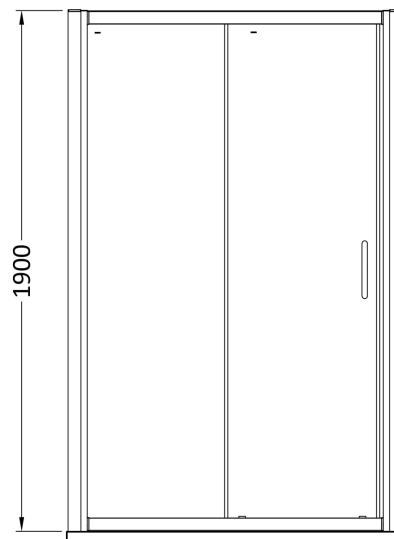


Sales Code: AQL12NBB-E8

Description: 1200 Sliding Door 8mm



Product Dimensions

Height (mm):	1900
Width (mm):	1190
Depth (mm):	0
Nett Weight (kg):	48.1

Packaging Dimensions

Height (mm):	65
Width (mm):	830
Length (mm):	1960
Gross Weight (kg):	48.1

Packaging Data

Box Colour:	Brown Cardboard Box - Printed
Box Qty:	1
Label Size:	100 x 50
Label Colour:	White Label
Label Qty:	2

Outer Box Dimensions (If Applicable)

Height (mm):	
Width (mm):	
Depth (mm):	
Length (mm):	
Gross Weight (kg):	
Barcode:	5056678442821

Product Details

Country of Origin:	China
Fitting Instruction:	No
CE & UKCA:	
Profile Material:	Aluminium
Profile Finish:	
Adjustments (mm):	1145mm - 1190mm
Entry Width (mm):	480mm
Swing In Dim (mm):	N/A
Swing Out Dim (mm):	N/A
Radius (mm):	Not Applicable
Glass Thickness (mm):	8
Easy Fit:	Yes
Easy Clean:	Yes
Handle Style:	Square T Shape Handle
Handle Material:	Metal
Enclosure Design:	Framed
Wheel Type:	Dual, Quick Release
Support Bar Included:	Support Bar Not Included
Extras:	Screw Cover Strip