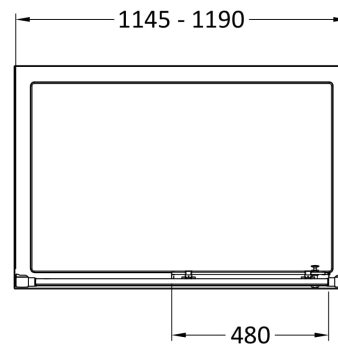
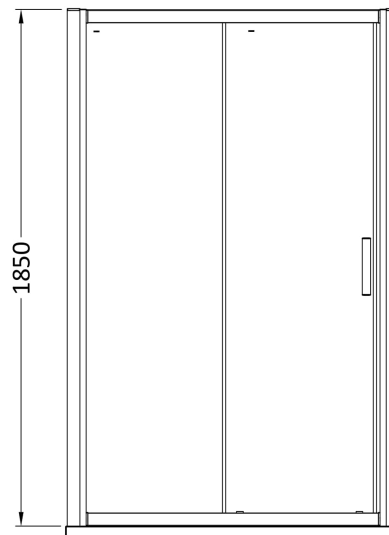


Sales Code: AQLS12

Description: Pacific Sliding Shower Door 1200mm



### Product Dimensions

Height (mm):	1850
Width (mm):	1190
Depth (mm):	44
Nett Weight (kg):	37.3

### Packaging Dimensions

Height (mm):	1910
Width (mm):	825
Length (mm):	65
Gross Weight (kg):	37.3

### Packaging Data

Box Colour:	Brown Cardboard Box - Printed
Box Qty:	1
Label Size:	100 x 50
Label Colour:	Not Applicable
Label Qty:	0

### Outer Box Dimensions (If Applicable)

Height (mm):	
Width (mm):	
Depth (mm):	
Length (mm):	
Gross Weight (kg):	
Barcode:	5055369080229

### Product Details

Country of Origin:	China
Fitting Instruction:	No
CE & UKCA:	Yes
Profile Material:	Aluminium
Profile Finish:	Chrome
Adjustments (mm):	1145mm - 1190mm
Entry Width (mm):	480mm
Swing In Dim (mm):	N/A
Swing Out Dim (mm):	N/A
Radius (mm):	Not Applicable
Glass Thickness (mm):	6
Easy Fit:	Yes
Easy Clean:	No
Handle Style:	Square T Shape Handle
Handle Material:	Metal
Enclosure Design:	Framed
Wheel Type:	Dual, Quick Release
Support Bar Included:	Support Bar Not Included
Extras:	None