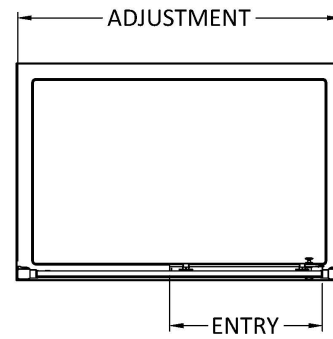
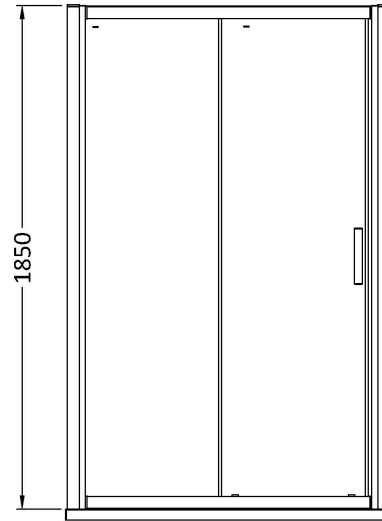


**Sales Code:** AQLS15H3

**Description:** Pacific Sliding Door 1500mm New Handle

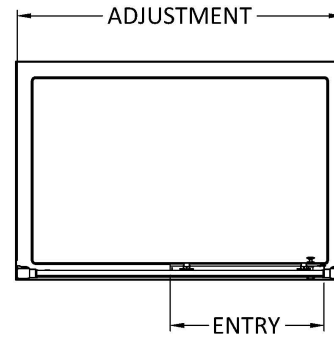
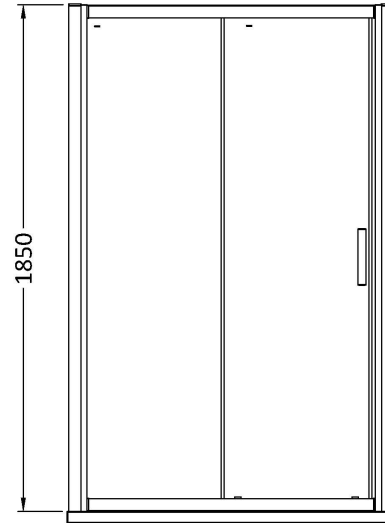
**Packaging Details**

Barcode: 5056462623573



Sales Code: AQLS15

Description: Pacific Sliding Shower Door 1500mm



**Product Dimensions**

Height (mm):	1850
Width (mm):	1490
Depth (mm):	44
Nett Weight (kg):	47.1

**Packaging Dimensions**

Height (mm):	1910
Width (mm):	975
Length (mm):	65
Gross Weight (kg):	47.1

**Packaging Data**

Box Colour:	Brown Cardboard Box - Printed
Box Qty:	1
Label Size:	100 x 50
Label Colour:	Not Applicable
Label Qty:	0

**Outer Box Dimensions (If Applicable)**

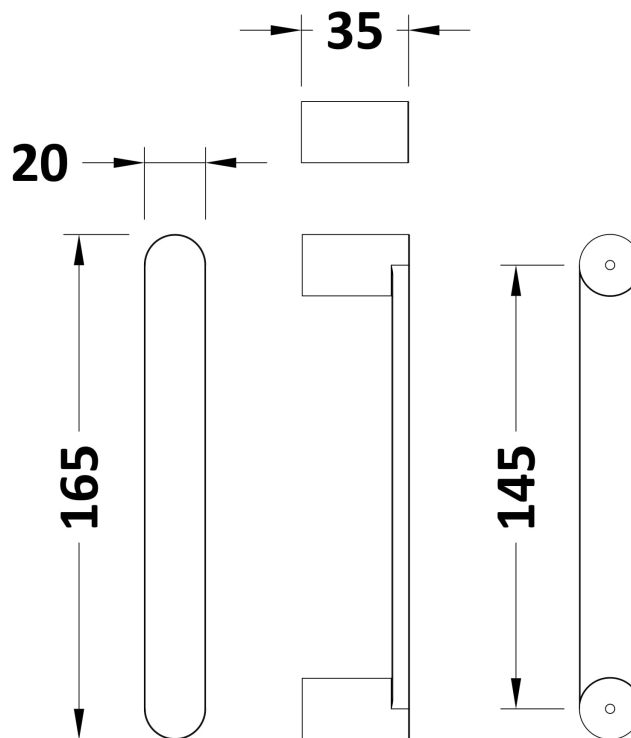
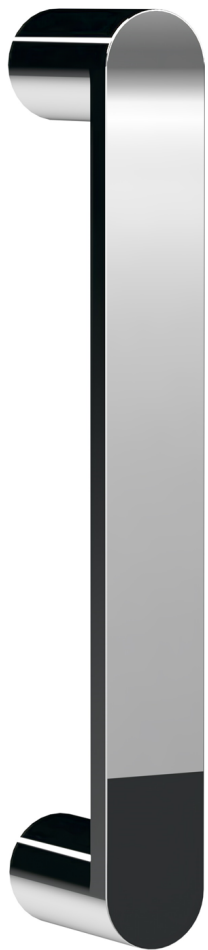
Height (mm):	
Width (mm):	
Depth (mm):	
Length (mm):	
Gross Weight (kg):	
Barcode:	5055369080243

**Product Details**

Country of Origin:	China
Fitting Instruction:	No
CE & UKCA:	Yes
Profile Material:	Aluminium
Profile Finish:	Chrome
Adjustments (mm):	1445mm - 1490mm
Entry Width (mm):	630mm
Swing In Dim (mm):	N/A
Swing Out Dim (mm):	N/A
Radius (mm):	Not Applicable
Glass Thickness (mm):	6
Easy Fit:	Yes
Easy Clean:	No
Handle Style:	Square T Shape Handle
Handle Material:	Metal
Enclosure Design:	Framed
Wheel Type:	Dual, Quick Release
Support Bar Included:	Support Bar Not Included
Extras:	None

Sales Code: HAN1203AA

Description: Single Handle Chrome



### Product Dimensions

Length (mm):	
Width (mm):	20
Height (mm):	165
Depth (mm):	76
Nett Weight (kg):	0.13

### Packaging Dimensions

Height (mm):	200
Width (mm):	30
Depth (mm):	74
Gross Weight (kg):	0.13

### Packaging Data

Box Colour:	
Box Qty:	
Label Size:	x
Label Colour:	
Label Qty:	

### Outer Box Dimensions (If Applicable)

Height (mm):	
Width (mm):	
Length (mm):	
Depth (mm):	
Gross Weight (kg):	
Barcode:	5056462617886

### Product Details

Country of Origin:	China
Fitting Instruction:	No
CE & UKCA:	
Product Material:	Zinc
Heating Element Wattage:	Not Applicable
Colour/Finish:	Chrome
Product Diameter:	
Connection Size:	N/A