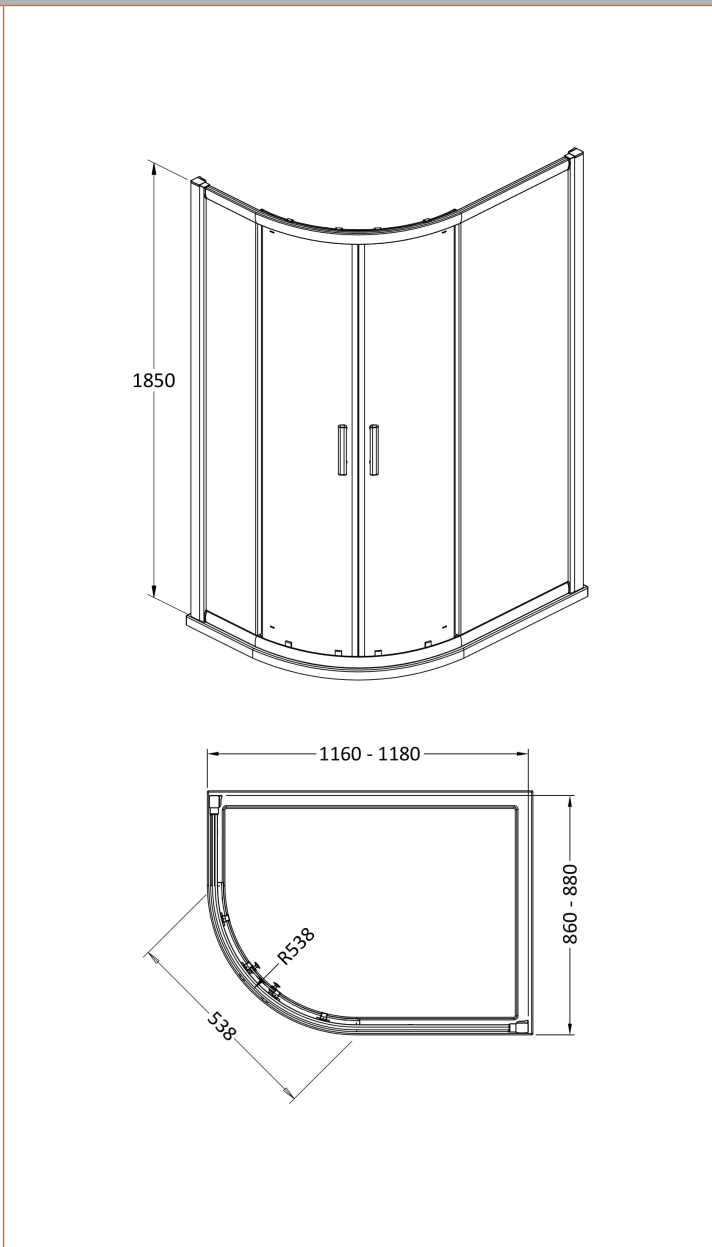


Sales Code: AQU129

Description: Pacific Off/Set Quad Enclosure 1200X900



Product Dimensions

Height (mm):	1850
Width (mm):	1180
Depth (mm):	880
Nett Weight (kg):	45

Packaging Dimensions

Height (mm):	1910
Width (mm):	670
Length (mm):	150
Gross Weight (kg):	54

Packaging Data

Box Colour:	Brown Cardboard Box - Printed
Box Qty:	1
Label Size:	100 x 50
Label Colour:	Not Applicable
Label Qty:	0

Outer Box Dimensions (If Applicable)

Height (mm):	
Width (mm):	
Depth (mm):	
Length (mm):	
Gross Weight (kg):	
Barcode:	5055369080137

Product Details

Country of Origin:	China
Fitting Instruction:	No
CE & UKCA:	Yes
Profile Material:	Aluminium
Profile Finish:	Chrome
Adjustments (mm):	1160mm - 1180mm / 860mm - 880M
Entry Width (mm):	520mm
Swing In Dim (mm):	N/A
Swing Out Dim (mm):	N/A
Radius (mm):	538 mm
Glass Thickness (mm):	6
Easy Fit:	Yes
Easy Clean:	No
Handle Style:	Square T Shape Handle
Handle Material:	Metal
Enclosure Design:	Framed
Wheel Type:	Dual, Quick Release
Support Bar Included:	Support Bar Not Included
Extras:	None