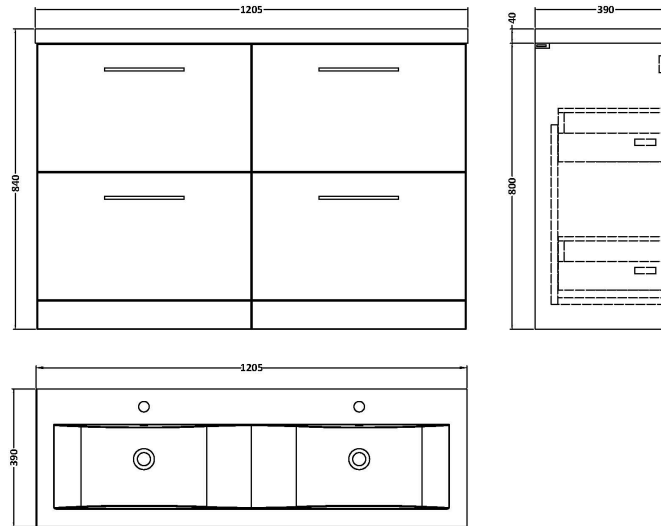


Sales Code: ARN1733F

Description: 1200 Fs 4-Drawer Vanity & Double Basin

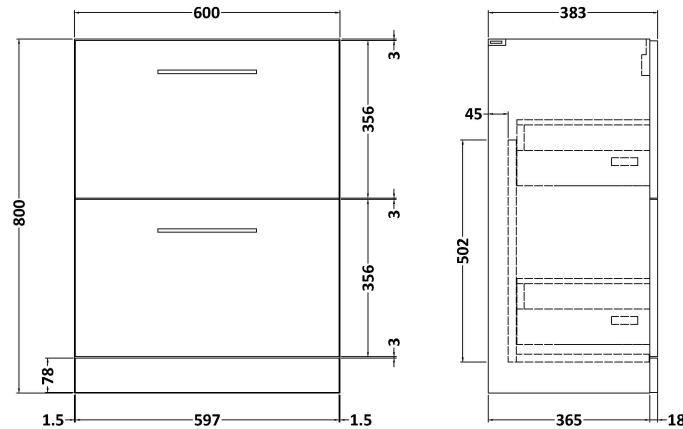
Packaging Details

Barcode: 5056462669830



Sales Code: NVF1733

Description: 600 Fs 2-Drawer Unit (365 Deep)



Product Dimensions

| | |
|-------------------|-----|
| Height (mm): | 800 |
| Width (mm): | 600 |
| Depth (mm): | 383 |
| Nett Weight (kg): | 26 |

Packaging Dimensions

| | |
|--------------------|------|
| Height (mm): | 835 |
| Width (mm): | 632 |
| Depth (mm): | 391 |
| Gross Weight (kg): | 26.5 |

Packaging Data

| | |
|---------------|---------------------|
| Box Colour: | Brown Cardboard Box |
| Box Qty: | 1 |
| Label Size: | 100 x 50 |
| Label Colour: | White Label |
| Label Qty: | 2 |

Outer Box Dimensions (If Applicable)

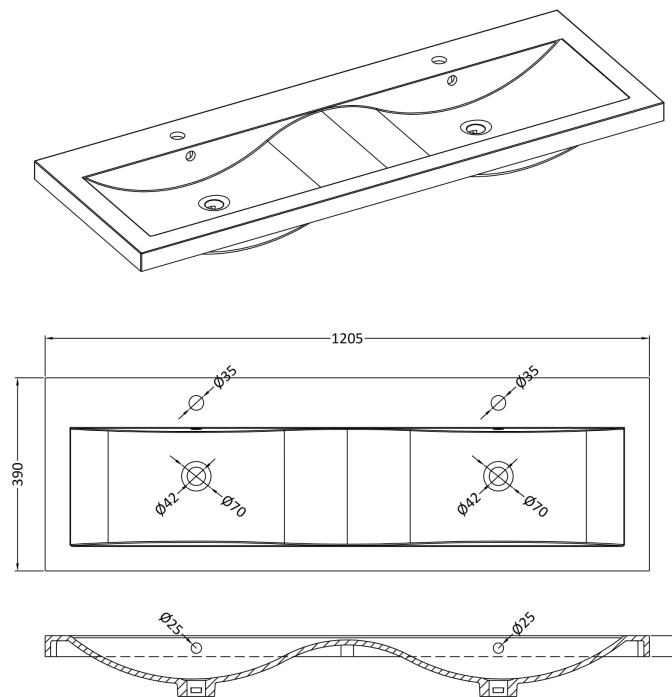
| | |
|--------------------|---------------|
| Height (mm): | |
| Width (mm): | |
| Depth (mm): | |
| Gross Weight (kg): | |
| Barcode: | 5056462660707 |

Product Details

| | |
|--------------------------|--------------------------------|
| Country of Origin: | United Kingdom |
| Fitting Instruction: | No |
| CE Certification: | N/A |
| FSC Certified Materials: | Yes |
| Colour: | Electric Blue |
| Construction Method: | Cam & Wood Dowel |
| Construction Type: | Rigid |
| Cabinet Finish: | MFC Smooth Matt |
| Fascia Finish: | MFC Smooth Matt |
| Cabinet Thickness (mm): | 18 |
| Fascia Thickness (mm): | 18 |
| Drawer Included: | Yes |
| Drawer Type: | 80mm High Metal S/C Inc Galler |
| No of Shelves: | 0 |
| Hinge Type: | Not Applicable |
| Hinge Included: | Not Applicable |
| Adjustable Legs: | No, Not Required |
| Fixings Included: | Yes |
| Handle Style: | Contemporary |
| Waste Shroud: | Yes |
| Handle Included: | Yes, Supplied |
| Handle Type: | D-Shape |

Sales Code: CBM424

Description: Double Ceramic Basin 1208X392



Product Dimensions

| | |
|-------------------|------|
| Height (mm): | 390 |
| Width (mm): | 1205 |
| Depth (mm): | 175 |
| Nett Weight (kg): | 27 |

Packaging Dimensions

| | |
|--------------------|------|
| Height (mm): | 205 |
| Width (mm): | 1270 |
| Depth (mm): | 510 |
| Gross Weight (kg): | 27 |

Packaging Data

| | |
|---------------|-------------------------------|
| Box Colour: | Brown Cardboard Box - Printed |
| Box Qty: | 1 |
| Label Size: | 100 x 50 |
| Label Colour: | White Label |
| Label Qty: | 2 |

Outer Box Dimensions (If Applicable)

| | |
|--------------------|---------------|
| Height (mm): | |
| Width (mm): | |
| Depth (mm): | |
| Gross Weight (kg): | |
| Barcode: | 5056211875826 |

Product Details

| | |
|----------------------|-------------------------------|
| Country of Origin: | China |
| Fitting Instruction: | No |
| Certification: | CE: No WRAS: N/A WRAS No: N/A |
| Product Material: | Vitreous China |
| Fixing Supplied: | No |

Pans/Bidets: Trap Style: Not Applicable Includes Seat: Not Applicable

Seats: Seat Type: Not Applicable Material: Not Applicable
Function: Not Applicable Hinge Type: Not Applicable
Hinge Material: Not Applicable

Cisterns: Operating Type: Not Applicable Fittings: Not Applicable
Lever Type: Not Applicable

Basins: Tap Hole: Two Tapholes Chain Stay Hole: No
Template: Not Required Waste Type Req: Slotted
Overflow Inc: Yes Overflow Cover: Yes
Inner Bowl Depth (mm): 103 mm