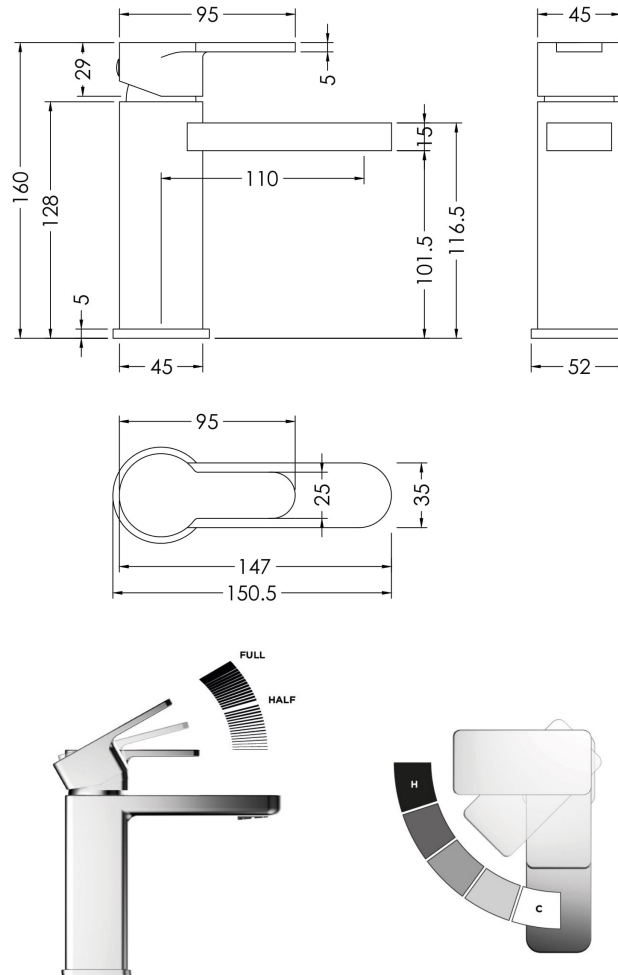


Sales Code: ARV305EC

Description: Eco Mono Basin Mixer P/B Waste



### Product Dimensions

Height (mm):	160
Width (mm):	52
Depth (mm):	147
Length (mm):	
Nett Weight (kg):	1.75

### Packaging Dimensions

Height (mm):	95
Width (mm):	225
Depth (mm):	275
Gross Weight (kg):	1.75

### Packaging Data

Box Colour:	White Cardboard Box
Box Qty:	1
Label Size:	100 x 50
Label Colour:	White Label
Label Qty:	1

### Outer Box Dimensions (If Applicable)

Height (mm):	500
Width (mm):	500
Depth (mm):	300
Length (mm):	
Gross Weight (kg):	
Barcode:	5056462611822

### Product Details

Country of Origin:	China
Fitting Instruction:	No
Product Material:	Brass
Control Type:	Manual
Waste Included:	Waste Included
Waste Type:	Push Button
WRAS Approval:	No
Approval No:	N/A
Valve/Cartridge Type:	Eco Step Cartridge
Colour/Finish:	Chrome
Mount Type:	Deck
Operating Pressure (bar):	0.2

Flow Rates: (Litres Per Min)	0.1 bar: 1.1	0.5 bar: 2.4	1 bar: 3.4	2 bar: 4.7	3 bar: 5.8
Pipe Size:	1/2"				
Pipe Centres:	N/A				