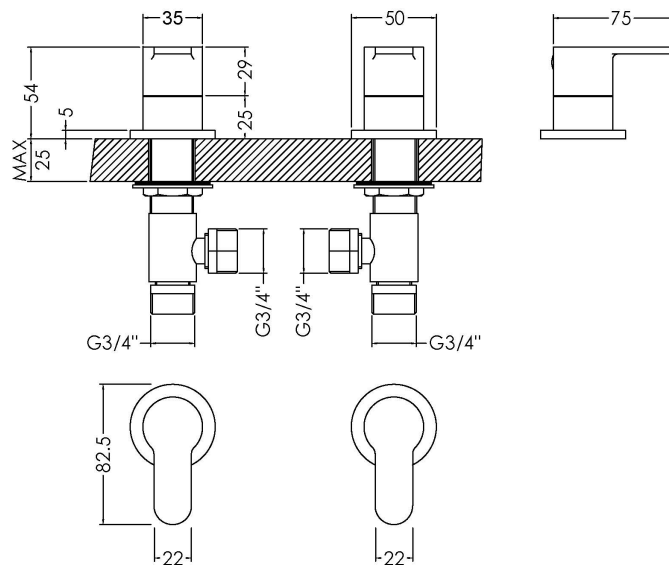


Sales Code: ARV308

Description: Arvan 3/4" Side Valves



### Product Dimensions

|                   |      |
|-------------------|------|
| Height (mm):      | 54   |
| Width (mm):       | 35   |
| Depth (mm):       | 75   |
| Length (mm):      |      |
| Nett Weight (kg): | 1.28 |

### Packaging Dimensions

|                    |      |
|--------------------|------|
| Height (mm):       | 95   |
| Width (mm):        | 175  |
| Depth (mm):        | 230  |
| Gross Weight (kg): | 1.28 |

### Packaging Data

|               |                     |
|---------------|---------------------|
| Box Colour:   | White Cardboard Box |
| Box Qty:      | 1                   |
| Label Size:   | 100 x 50            |
| Label Colour: | White Label         |
| Label Qty:    | 1                   |

### Outer Box Dimensions (If Applicable)

|              |     |
|--------------|-----|
| Height (mm): | 500 |
| Width (mm):  | 380 |
| Depth (mm):  | 250 |
| Length (mm): |     |

|                    |               |
|--------------------|---------------|
| Gross Weight (kg): |               |
| Barcode:           | 5056211898641 |

### Product Details

|                           |                       |
|---------------------------|-----------------------|
| Country of Origin:        | China                 |
| Fitting Instruction:      | No                    |
| Product Material:         | Brass                 |
| Control Type:             | Manual                |
| Waste Included:           | Waste Not Included    |
| Waste Type:               | Not Applicable        |
| WRAS Approval: No         | Approval No: N/A      |
| Valve/Cartridge Type:     | 1/4 Turn Ceramic Disc |
| Colour/Finish:            | Chrome                |
| Mount Type:               | Deck                  |
| Operating Pressure (bar): | 0.5                   |

|                              |              |               |           |             |             |
|------------------------------|--------------|---------------|-----------|-------------|-------------|
| Flow Rates: (Litres Per Min) | 0.1 bar: 8.1 | 0.5 bar: 18.3 | 1 bar: 26 | 2 bar: 36.9 | 3 bar: 45.4 |
| Pipe Size:                   | 3/4"         |               |           |             |             |
| Pipe Centres:                | N/A          |               |           |             |             |