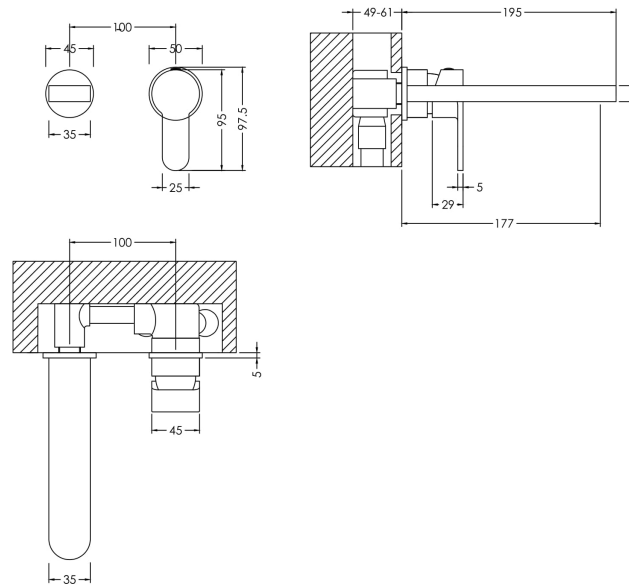


**Sales Code:** ARV381

**Description:** Arvan W/M 2Th Basin Mixer



**Product Dimensions**

Height (mm):	95
Width (mm):	147
Depth (mm):	195
Length (mm):	
Nett Weight (kg):	1.62

**Packaging Dimensions**

Height (mm):	115
Width (mm):	205
Depth (mm):	250
Gross Weight (kg):	1.62

**Packaging Data**

Box Colour:	White Cardboard Box
Box Qty:	1
Label Size:	100 x 50
Label Colour:	White Label
Label Qty:	1

**Outer Box Dimensions (If Applicable)**

Height (mm):	600
Width (mm):	435
Depth (mm):	265
Length (mm):	
Gross Weight (kg):	
Barcode:	5056211898511

**Product Details**

Country of Origin:	China
Fitting Instruction:	Yes
Product Material:	Brass
Control Type:	Manual
Waste Included:	Waste Not Included
Waste Type:	Not Applicable
WRAS Approval: No	Approval No: N/A
Valve/Cartridge Type:	Single Lever Cartridge
Colour/Finish:	Chrome
Mount Type:	Wall
Operating Pressure (bar):	0.2
Flow Rates: (Litres Per Min)	0.1 bar: 2.3 0.5 bar: 6.3 1 bar: 9.2 2 bar: 13.1 3 bar: 16.1
Pipe Size:	1/2"
Pipe Centres:	100