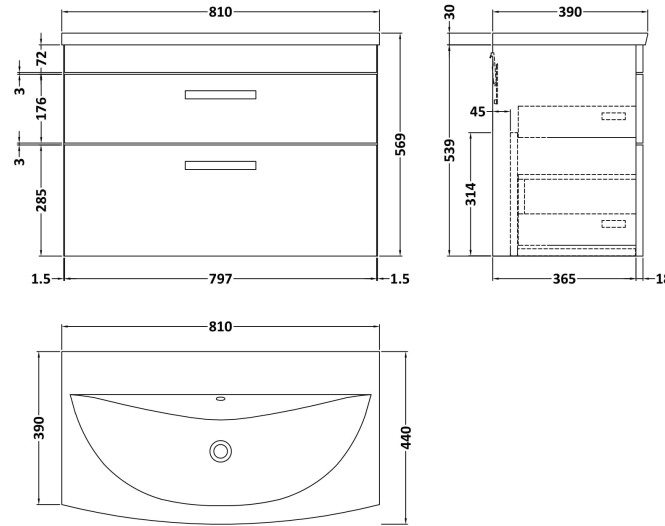


Sales Code: ATH064G

Description: 800 Wh 2-Drawer Vanity & Basin 4

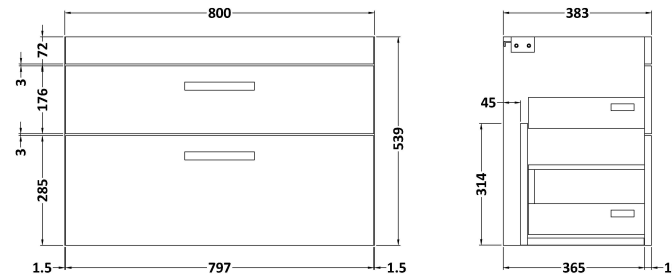
### Packaging Details

Barcode: 5056462622439



Sales Code: MOC175

Description: 800 Wall Hung 2-Drawer Basin Unit



### Product Dimensions

|                   |     |
|-------------------|-----|
| Height (mm):      | 538 |
| Width (mm):       | 800 |
| Depth (mm):       | 383 |
| Nett Weight (kg): | 24  |

### Packaging Dimensions

|                    |      |
|--------------------|------|
| Height (mm):       | 560  |
| Width (mm):        | 820  |
| Depth (mm):        | 405  |
| Gross Weight (kg): | 24.5 |

### Packaging Data

|               |                     |
|---------------|---------------------|
| Box Colour:   | Brown Cardboard Box |
| Box Qty:      | 1                   |
| Label Size:   | 100 x 50            |
| Label Colour: | White Label         |
| Label Qty:    | 2                   |

### Outer Box Dimensions (If Applicable)

|                    |               |
|--------------------|---------------|
| Height (mm):       |               |
| Width (mm):        |               |
| Depth (mm):        |               |
| Gross Weight (kg): |               |
| Barcode:           | 5055275828540 |

### Product Details

|                          |                           |
|--------------------------|---------------------------|
| Country of Origin:       | United Kingdom            |
| Fitting Instruction:     | No                        |
| CE & UKCA:               | N/A                       |
| FSC Certified Materials: | Yes                       |
| Colour:                  | Driftwood                 |
| Construction Method:     | Cam & Wood Dowel          |
| Construction Type:       | Rigid                     |
| Cabinet Finish:          | MFC Textured Woodgrain    |
| Fascia Finish:           | MFC Textured Woodgrain    |
| Cabinet Thickness (mm):  | 18                        |
| Fascia Thickness (mm):   | 18                        |
| Drawer Included:         | Yes                       |
| Drawer Type:             | 80mm High Metal Softclose |
| No of Shelves:           | 0                         |
| Hinge Type:              | Not Applicable            |
| Hinge Included:          | Not Applicable            |
| Adjustable Legs:         | No, Not Required          |
| Fixings Included:        | Yes                       |
| Handle Style:            | Contemporary              |
| Waste Shroud:            | Yes                       |
| Handle Included:         | Yes, Supplied             |
| Handle Type:             | D-Shape                   |

Sales Code: NVM045

Description: 800 Curved Basin 1Th



### Product Dimensions

|                   |     |
|-------------------|-----|
| Height (mm):      | 160 |
| Width (mm):       | 810 |
| Depth (mm):       | 440 |
| Nett Weight (kg): | 15  |

### Packaging Dimensions

|                    |      |
|--------------------|------|
| Height (mm):       | 190  |
| Width (mm):        | 830  |
| Depth (mm):        | 415  |
| Gross Weight (kg): | 15.5 |

### Packaging Data

|               |                     |
|---------------|---------------------|
| Box Colour:   | Brown Cardboard Box |
| Box Qty:      | 1                   |
| Label Size:   | 100 x 50            |
| Label Colour: | White Label         |
| Label Qty:    | 2                   |

### Outer Box Dimensions (If Applicable)

|                    |               |
|--------------------|---------------|
| Height (mm):       |               |
| Width (mm):        |               |
| Depth (mm):        |               |
| Gross Weight (kg): |               |
| Barcode:           | 5056462620978 |

### Product Details

|                              |                        |
|------------------------------|------------------------|
| Country of Origin:           | China                  |
| Fitting Instruction:         | No                     |
| Certification: CE & UKCA: No | WRAS: N/A WRAS No: N/A |
| Product Material:            | Vitreous China         |
| Fixing Supplied:             | No                     |

**Pans/Bidets:** Trap Style: Not Applicable Includes Seat: Not Applicable

**Seats:** Seat Type: Not Applicable Material: Not Applicable  
Function: Not Included Hinge Type: Not Relevant  
Hinge Material: Not Applicable

**Cisterns:** Operating Type: Not Applicable Fittings: None Included  
Lever Type: Not Applicable

**Basins:** Tap Hole: One Taphole Chain Stay Hole: No  
Template: Not Required Waste Type Req: Slotted  
Overflow Inc: Not Applicable Overflow Cover: Yes  
Inner Bowl Depth (mm): 125mm