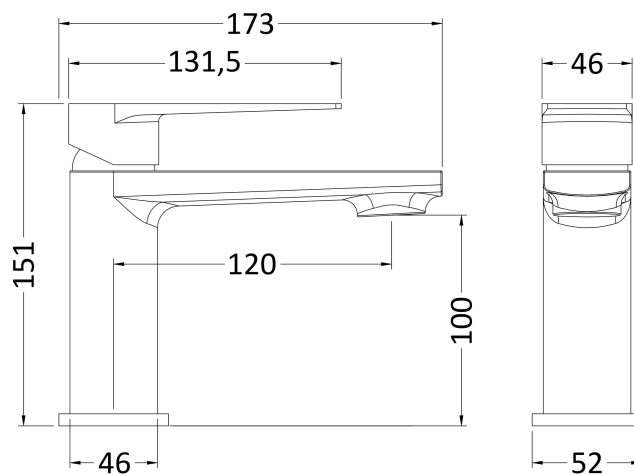


Sales Code: BAI305

Description: Bailey Mono Basin Mixer P/B Waste



Product Dimensions

| | |
|-------------------|-----|
| Height (mm): | 150 |
| Width (mm): | 52 |
| Depth (mm): | 170 |
| Length (mm): | |
| Nett Weight (kg): | 1.7 |

Packaging Dimensions

| | |
|--------------------|------|
| Height (mm): | 80 |
| Width (mm): | 270 |
| Depth (mm): | 222 |
| Gross Weight (kg): | 1.94 |

Packaging Data

| | |
|---------------|---------------------|
| Box Colour: | White Cardboard Box |
| Box Qty: | 1 |
| Label Size: | 100 x 50 |
| Label Colour: | White Label |
| Label Qty: | 1 |

Outer Box Dimensions (If Applicable)

| | |
|--------------|-----|
| Height (mm): | 290 |
| Width (mm): | 350 |
| Depth (mm): | 460 |
| Length (mm): | |

| | |
|--------------------|---------------|
| Gross Weight (kg): | |
| Barcode: | 5056211850403 |

Product Details

| | |
|---------------------------|------------------------|
| Country of Origin: | United Kingdom |
| Fitting Instruction: | No |
| Product Material: | Brass |
| Control Type: | Manual |
| Waste Included: | Waste Included |
| Waste Type: | Not Applicable |
| WRAS Approval: | No Approval No: |
| Valve/Cartridge Type: | Single Lever Cartridge |
| Colour/Finish: | Chrome |
| Mount Type: | Deck |
| Operating Pressure (bar): | 0.5 |

| | | | | | |
|------------------------------|--------------|--------------|------------|-------------|-------------|
| Flow Rates: (Litres Per Min) | 0.1 bar: 4.8 | 0.5 bar: 6.4 | 1 bar: 9.1 | 2 bar: 13.3 | 3 bar: 16.4 |
| Pipe Size: | 1/2" | | | | |
| Pipe Centres: | N/A | | | | |