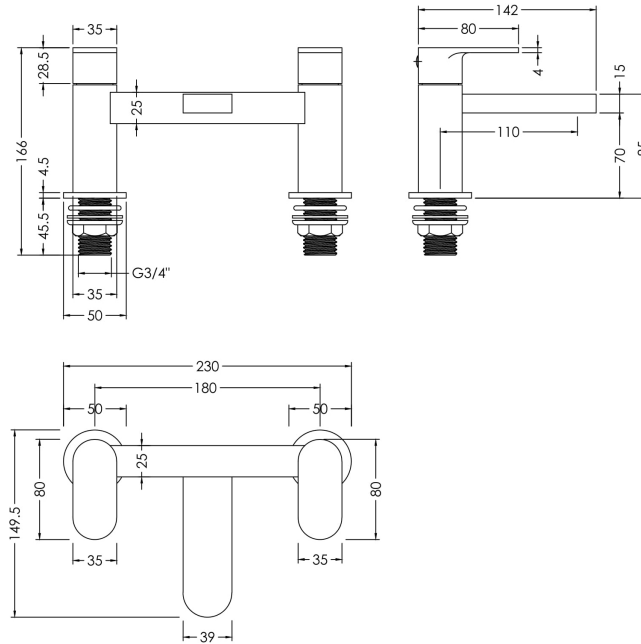


Sales Code: BIN303

Description: Binsey D/M Bath Filler



Product Dimensions

| | |
|-------------------|------|
| Height (mm): | 120 |
| Width (mm): | 215 |
| Depth (mm): | 142 |
| Length (mm): | |
| Nett Weight (kg): | 1.77 |

Packaging Dimensions

| | |
|--------------------|------|
| Height (mm): | 205 |
| Width (mm): | 205 |
| Depth (mm): | 270 |
| Gross Weight (kg): | 1.77 |

Packaging Data

| | |
|---------------|---------------------|
| Box Colour: | White Cardboard Box |
| Box Qty: | 1 |
| Label Size: | 100 x 50 |
| Label Colour: | White Label |
| Label Qty: | 1 |

Outer Box Dimensions (If Applicable)

| | |
|--------------|-----|
| Height (mm): | 560 |
| Width (mm): | 540 |
| Depth (mm): | 530 |
| Length (mm): | |

| | |
|--------------------|---------------|
| Gross Weight (kg): | |
| Barcode: | 5056211898856 |

Product Details

| | |
|---------------------------|-----------------------|
| Country of Origin: | China |
| Fitting Instruction: | No |
| Product Material: | Brass |
| Control Type: | Manual |
| Waste Included: | Waste Not Included |
| Waste Type: | Not Applicable |
| WRAS Approval: No | Approval No: N/A |
| Valve/Cartridge Type: | 1/4 Turn Ceramic Disc |
| Colour/Finish: | Chrome |
| Mount Type: | Deck |
| Operating Pressure (bar): | 1 |

| | | | | | |
|------------------------------|--------------|-------------|-------------|-------------|-----------|
| Flow Rates: (Litres Per Min) | 0.1 bar: 6.3 | 0.5 bar: 16 | 1 bar: 23.1 | 2 bar: 33.3 | 3 bar: 41 |
| Pipe Size: | 3/4" | | | | |
| Pipe Centres: | 180 | | | | |