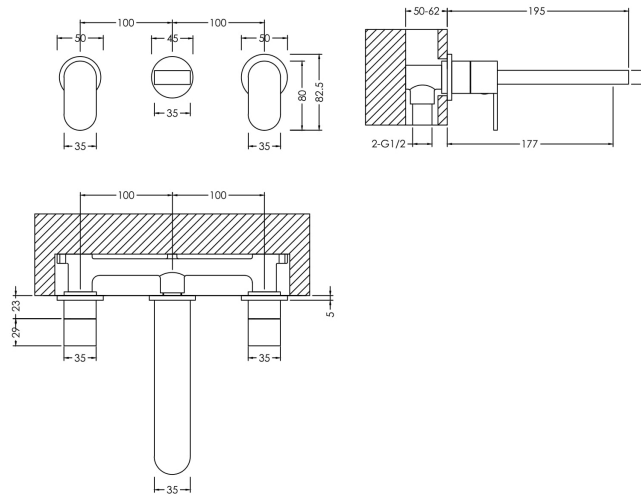


**Sales Code:** BIN317

**Description:** Binsey W/M 3Th Basin Mixer



**Product Dimensions**

Height (mm):	75
Width (mm):	245
Depth (mm):	195
Length (mm):	
Nett Weight (kg):	1.91

**Packaging Dimensions**

Height (mm):	115
Width (mm):	185
Depth (mm):	325
Gross Weight (kg):	1.91

**Packaging Data**

Box Colour:	White Cardboard Box
Box Qty:	1
Label Size:	100 x 50
Label Colour:	White Label
Label Qty:	1

**Outer Box Dimensions (If Applicable)**

Height (mm):	600
Width (mm):	390
Depth (mm):	340
Length (mm):	
Gross Weight (kg):	
Barcode:	5056211898825

**Product Details**

Country of Origin:	China
Fitting Instruction:	No
Product Material:	Brass
Control Type:	Manual
Waste Included:	Waste Not Included
Waste Type:	Not Applicable
WRAS Approval: No	Approval No: N/A
Valve/Cartridge Type:	1/4 Turn Ceramic Disc
Colour/Finish:	Chrome
Mount Type:	Wall
Operating Pressure (bar):	0.2
Flow Rates: (Litres Per Min)	0.1 bar: 3.4   0.5 bar: 8.7   1 bar: 12.6   2 bar: 18   3 bar: 20.8
Pipe Size:	1/2"
Pipe Centres:	100