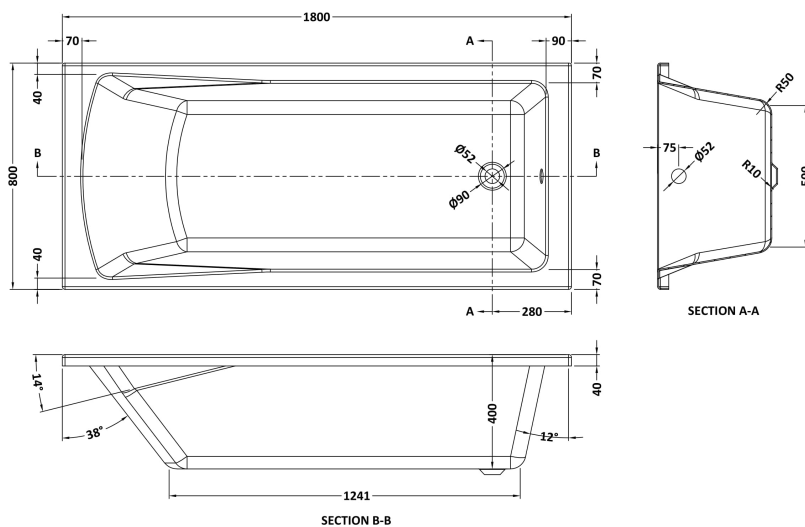


Sales Code: BMON010

Description: Square Se Bath & Leg Set 1800X800 EL



Product Dimensions

Length (mm):	1800
Width (mm):	800
Depth (mm):	400
Nett Weight (kg):	29

Packaging Dimensions

Length (mm):	1870
Width (mm):	810
Depth (mm):	420
Gross Weight (kg):	29

Packaging Data

Box Colour:	Brown Cardboard Sleeve
Box Qty:	1
Label Size:	100 x 50
Label Colour:	White Label
Label Qty:	2

Outer Box Dimensions (If Applicable)

Length (mm):	
Width (mm):	
Height (mm):	
Gross Weight (kg):	
Barcode:	5055369060979

Product Details

Country of Origin:	Egypt
Fitting Instruction:	No
Certification:	FSC: CE & UKCA:
Material Colour Reference:	European White
Product Material:	Acrylic With Eternalite
Material Thickness:	4mm
Volume (Ltr):	216L
Displaced Capacity:	146L
Leg Set Included:	Legset Included
Waste Included:	Waste Not Included
Drilled/Undrilled:	Undrilled For Taps
Includes Grips:	No Grips Supplied
Embossed:	No
No of Tapholes:	None
Anti-Slip:	No