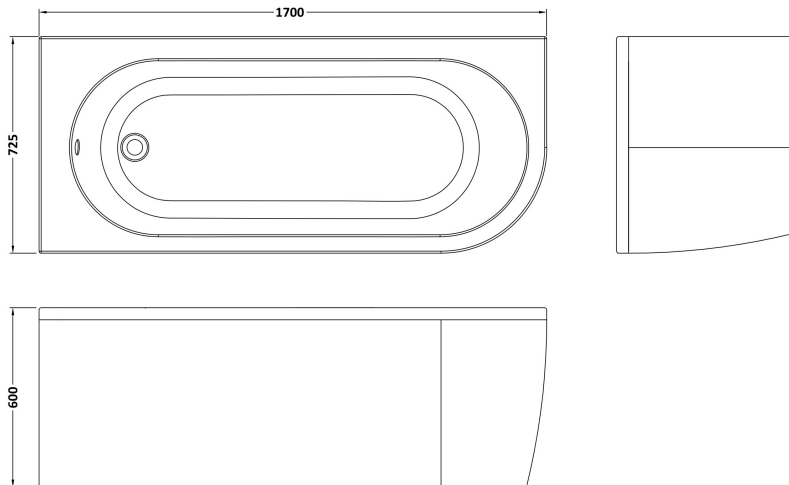
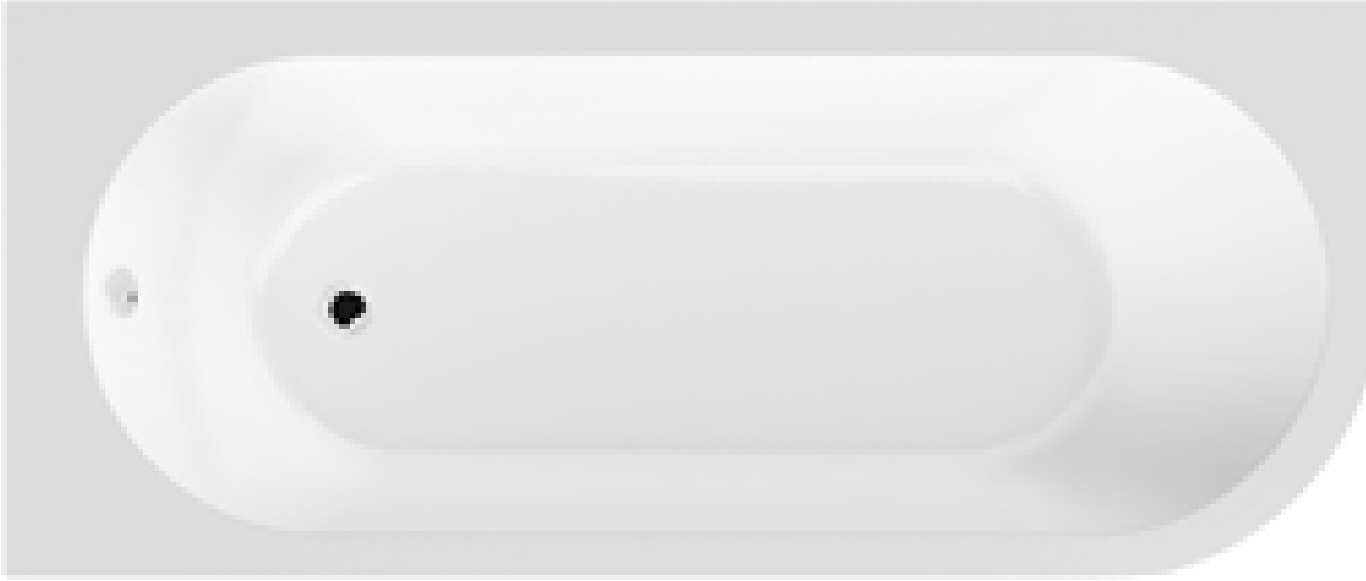


**Sales Code:** BSG005L

**Description:** Lh Btw Corner Bath, Legs & Panel

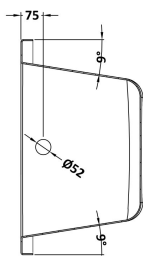
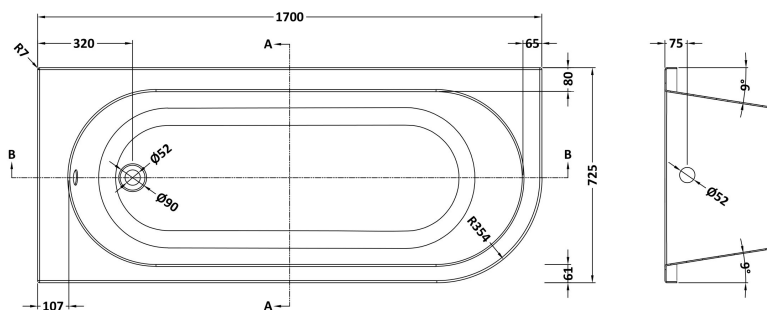
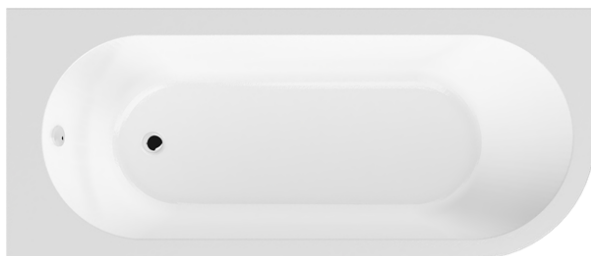
**Packaging Details**

Barcode: 5056462604169

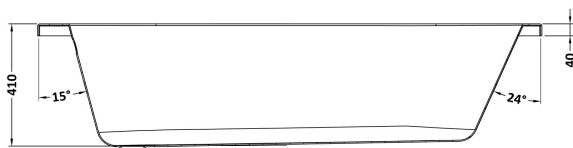


**Sales Code:** NBH209L

**Description:** Lh Btw Corner Bath & Legs (No Panel)



SECTION A-A



SECTION B-B

**Product Dimensions**

Length (mm):	725
Width (mm):	1700
Depth (mm):	410
Nett Weight (kg):	28

**Packaging Dimensions**

Length (mm):	1700
Width (mm):	725
Depth (mm):	400
Gross Weight (kg):	28

**Packaging Data**

Box Colour:	Brown Cardboard Sleeve
Box Qty:	1
Label Size:	80 x 40
Label Colour:	White Label
Label Qty:	2

**Outer Box Dimensions (If Applicable)**

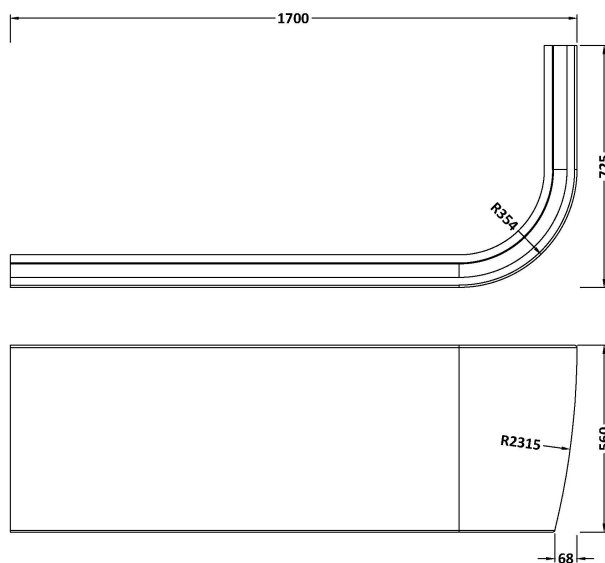
Length (mm):	
Width (mm):	
Height (mm):	
Gross Weight (kg):	
Barcode:	5055275894538

**Product Details**

Country of Origin:	Egypt
Fitting Instruction:	No
Certification:	FSC: No CE & UKCA: Yes
Material Colour Reference:	European White
Product Material:	Acrylic
Material Thickness:	4mm
Volume (Ltr):	195L
Displaced Capacity:	120L
Leg Set Included:	Legset Included
Waste Included:	Waste Not Included
Drilled/Undrilled:	Undrilled For Taps
Includes Grips:	Not Applicable
Embossed:	No
No of Tapholes:	None
Anti-Slip:	No

**Sales Code:** PAN209L

**Description:** Btw J Corner Bath Panel Lh



**Product Dimensions**

Length (mm):	1700
Width (mm):	560
Depth (mm):	725
Nett Weight (kg):	5

**Packaging Dimensions**

Length (mm):	1700
Width (mm):	30
Depth (mm):	400
Gross Weight (kg):	5.5

**Packaging Data**

Box Colour:	Polybagged
Box Qty:	1
Label Size:	80 x 40
Label Colour:	White Label
Label Qty:	1

**Outer Box Dimensions (If Applicable)**

Length (mm):	
Width (mm):	
Height (mm):	
Gross Weight (kg):	
Barcode:	5056462602493

**Product Details**

Country of Origin:	Egypt
Fitting Instruction:	No
Certification:	FSC: CE & UKCA:
Material Colour Reference:	
Product Material:	Acrylic
Material Thickness:	2mm
Volume (Ltr):	
Displaced Capacity:	
Leg Set Included:	Not Applicable
Waste Included:	Not Applicable
Drilled/Undrilled:	Not Applicable
Includes Grips:	Not Applicable
Embossed:	Not Applicable
No of Tapholes:	Not Applicable
Anti-Slip:	Not Applicable