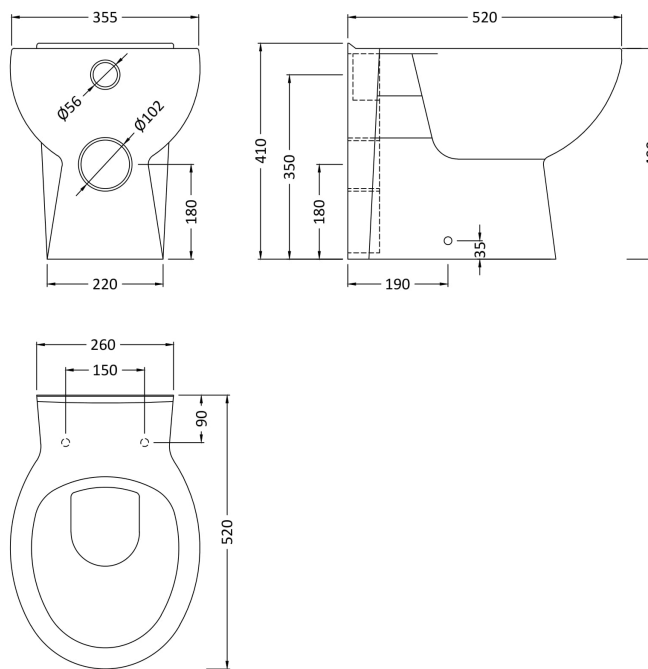


Sales Code: BTW002

Description: Standard Toilet Pan



Product Dimensions

Height (mm):	410
Width (mm):	355
Depth (mm):	520
Nett Weight (kg):	18.5

Packaging Dimensions

Height (mm):	420
Width (mm):	395
Depth (mm):	555
Gross Weight (kg):	19

Packaging Data

Box Colour:	Brown Cardboard Box - Printed
Box Qty:	1
Label Size:	100 x 50
Label Colour:	Not Applicable
Label Qty:	2

Outer Box Dimensions (If Applicable)

Height (mm):	
Width (mm):	
Depth (mm):	
Gross Weight (kg):	
Barcode:	5055369003730

Product Details

Country of Origin:	China
Fitting Instruction:	No
Certification:	CE: Yes WRAS: N/A WRAS No: N/A
Product Material:	Vitreous China
Fixing Supplied:	No

Pans/Bidets:	Trap Style: P Trap	Includes Seat: No
---------------------	--------------------	-------------------

Seats:	Seat Type: Round	Material: Not Applicable
	Function: Not Applicable	Hinge Type: Top & Bottom Fix
	Hinge Material: Not Applicable	

Cisterns:	Operating Type: Not Applicable	Fittings: Not Applicable
	Lever Type: Not Applicable	

Basins:	Tap Hole: Not Applicable	Chain Stay Hole: Not Applicable
	Template: Not Applicable	Waste Type Req: Not Applicable
	Overflow Inc: Not Applicable	Overflow Cover: Not Applicable
	Inner Bowl Depth (mm): N/A	