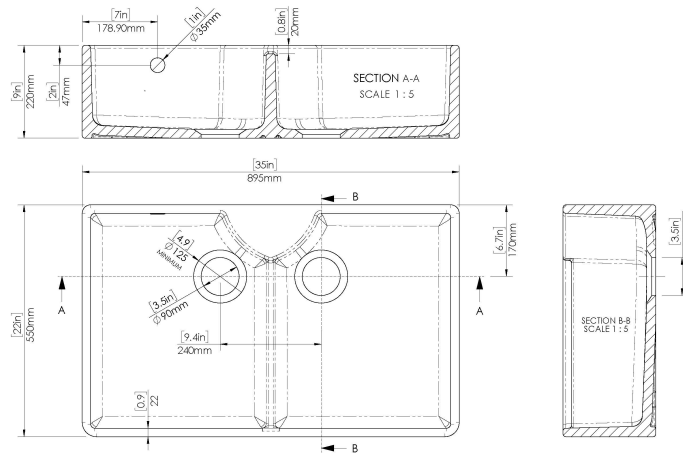
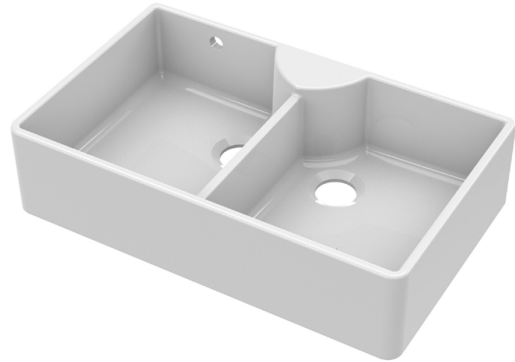


Sales Code: BU121AS36D

Description: Butler Sink Sw & Of 895X550x220



Product Dimensions

Height (mm):	220
Width (mm):	895
Depth (mm):	550
Nett Weight (kg):	52.5

Packaging Dimensions

Height (mm):	237
Width (mm):	914
Depth (mm):	557
Gross Weight (kg):	53

Packaging Data

Box Colour:	Brown Cardboard Box
Box Qty:	1
Label Size:	100 x 50
Label Colour:	White Label
Label Qty:	2

Outer Box Dimensions (If Applicable)

Height (mm):	
Width (mm):	
Depth (mm):	
Gross Weight (kg):	
Barcode:	5055275868577

Product Details

Country of Origin:	Utd.Arab.Emir.	
Fitting Instruction:	No	
Certification: CE & UKCA:	WRAS:	WRAS No:
Product Material:		
Fixing Supplied:		

Pans/Bidets: Trap Style: Includes Seat:

Seats: Seat Type: Material:
Function: Hinge Type:
Hinge Material:

Cisterns: Operating Type: Fittings:
Lever Type:

Basins: Tap Hole: Chain Stay Hole:
Template: Waste Type Req:
Overflow Inc: Overflow Cover:
Inner Bowl Depth (mm): 198