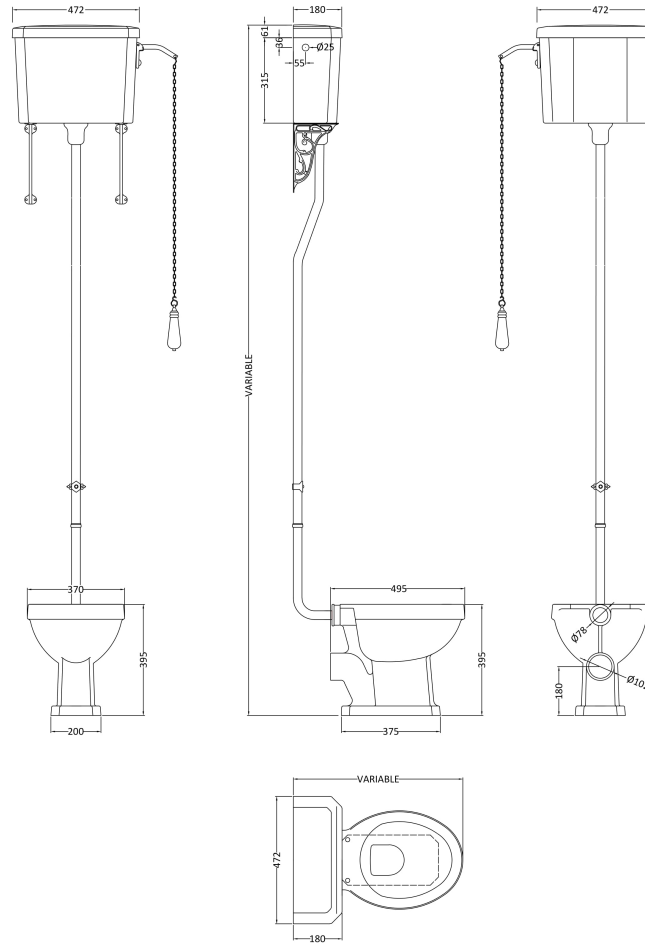


Sales Code: Cct002

Description: Carlton High Level Wc & Flush Pipe Kit

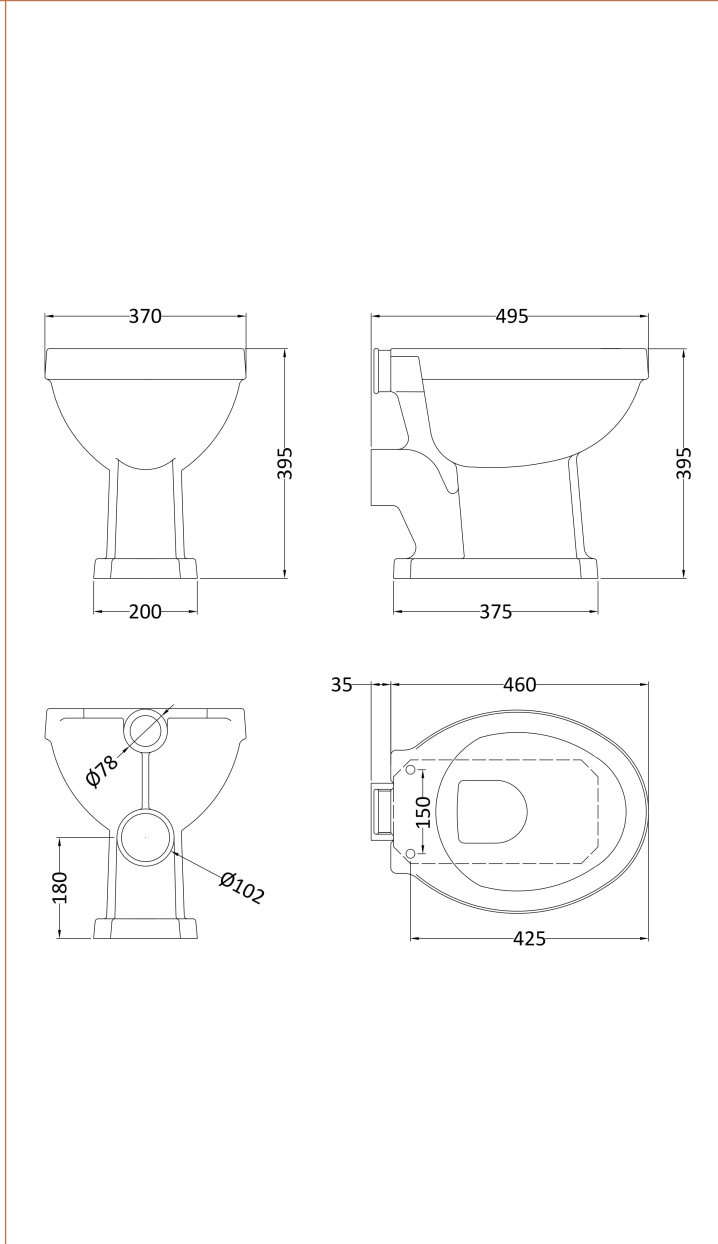


Packaging Details

Barcode: 5056211820079

Sales Code: NCS870

Description: High/Low Level Pan (Excluding Seat)



Product Dimensions

Height (mm):	395
Width (mm):	370
Depth (mm):	495
Nett Weight (kg):	15.61

Packaging Dimensions

Height (mm):	425
Width (mm):	525
Depth (mm):	430
Gross Weight (kg):	16.5

Packaging Data

Box Colour:	Brown Cardboard Box - Printed
Box Qty:	1
Label Size:	100 x 50
Label Colour:	Not Applicable
Label Qty:	0

Outer Box Dimensions (If Applicable)

Height (mm):	
Width (mm):	
Depth (mm):	
Gross Weight (kg):	
Barcode:	5055369040131

Product Details

Country of Origin:	China
Fitting Instruction:	No
Certification: CE & UKCA:	N/A
WRAS:	N/A
WRAS No:	N/A
Product Material:	Vitreous China
Fixing Supplied:	No

Pans/Bidets: Trap Style: P Trap Includes Seat: No

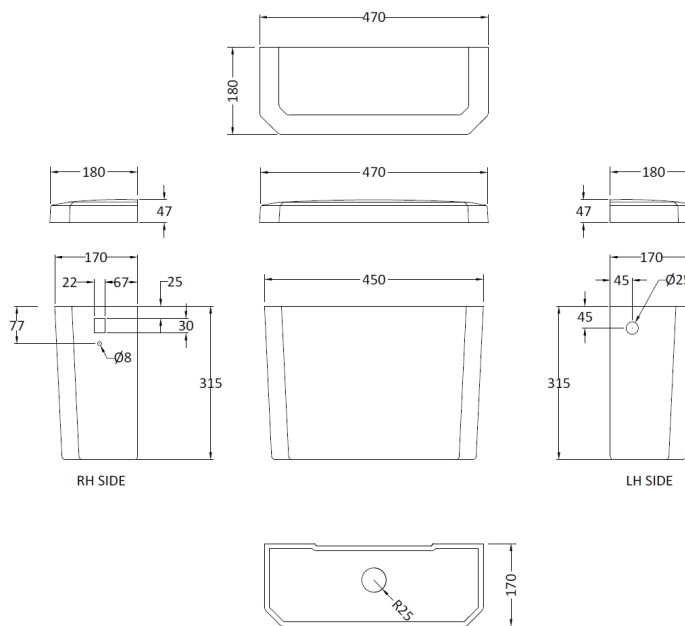
Seats: Seat Type: Round Material: Not Applicable
 Function: Not Applicable Hinge Type: Top & Bottom Fix
 Hinge Material: Not Applicable

Cisterns: Operating Type: Not Applicable Fittings: Not Applicable
 Lever Type: Not Applicable

Basins: Tap Hole: Not Applicable Chain Stay Hole: Not Applicable
 Template: Not Applicable Waste Type Req: Not Applicable
 Overflow Inc: Not Applicable Overflow Cover: Not Applicable
 Inner Bowl Depth (mm): N/A

Sales Code: NCS872

Description: High Level Cistern (Inc' Fittings)



Product Dimensions

Height (mm):	360
Width (mm):	510
Depth (mm):	200
Nett Weight (kg):	14.5

Packaging Dimensions

Height (mm):	316
Width (mm):	168
Depth (mm):	455
Gross Weight (kg):	15.9

Packaging Data

Box Colour:	Brown Cardboard Box
Box Qty:	1
Label Size:	100 x 50
Label Colour:	White Label
Label Qty:	2

Outer Box Dimensions (If Applicable)

Height (mm):	
Width (mm):	
Depth (mm):	
Gross Weight (kg):	
Barcode:	5055369040162

Product Details

Country of Origin:	China
Fitting Instruction:	No
Certification: CE & UKCA:	WRAS: Yes WRAS No: N/A
Product Material:	Vitreous China
Fixing Supplied:	No

Pans/Bidets: Trap Style: Not Applicable Includes Seat: Not Applicable

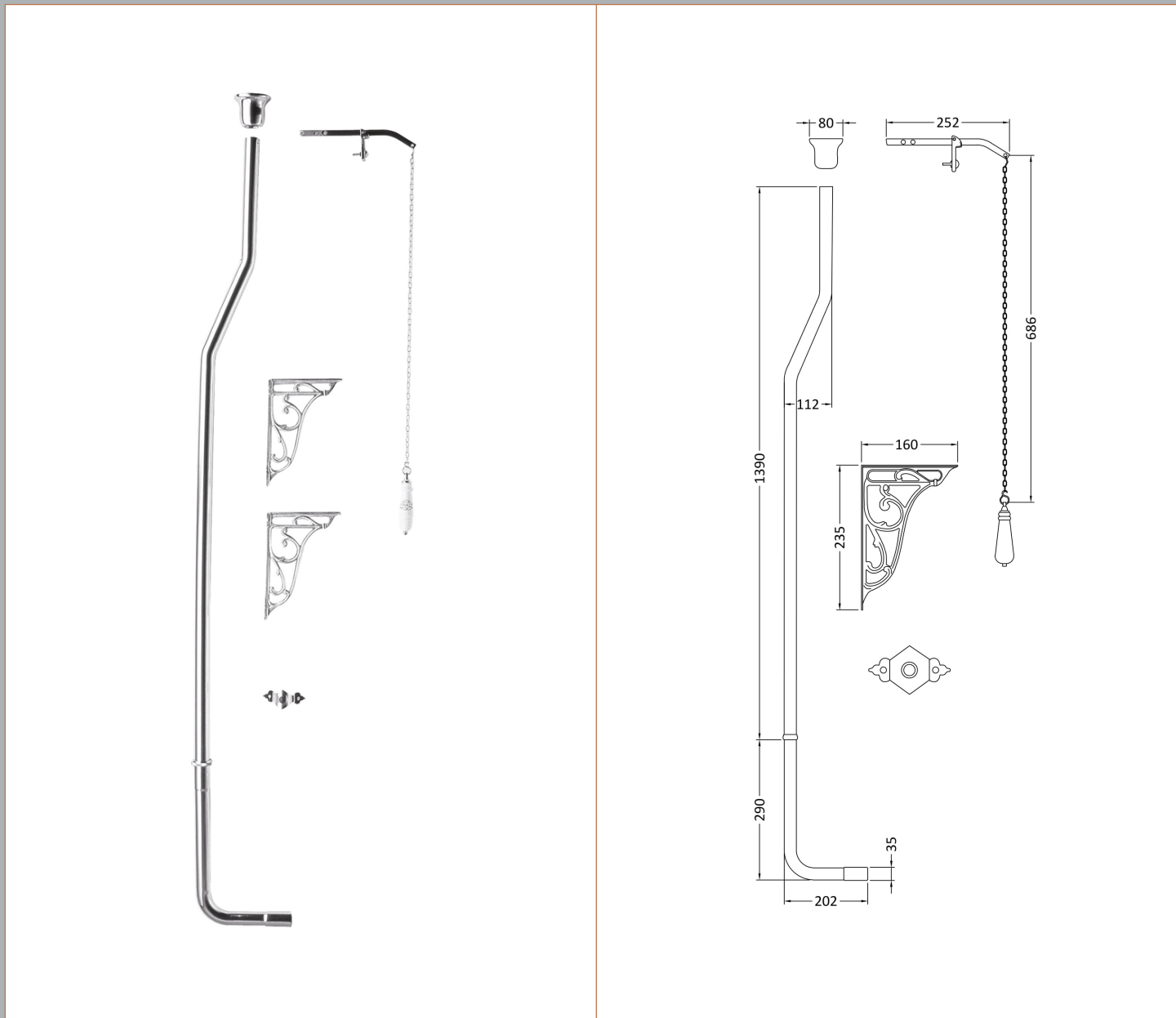
Seats: Seat Type: Not Applicable Material: Not Applicable
Function: Not Applicable Hinge Type: Not Relevant
Hinge Material: Not Applicable

Cisterns: Operating Type: Lever Fittings: Loose Single 6L
Lever Type: Ceramic / Pull Chain

Basins: Tap Hole: Not Applicable Chain Stay Hole: Not Applicable
Template: Not Applicable Waste Type Req: Not Applicable
Overflow Inc: Not Applicable Overflow Cover: Not Applicable
Inner Bowl Depth (mm): N/A

Sales Code: FA313

Description: High Level Flush Pipe Pack



Product Dimensions

Length (mm):	
Width (mm):	80
Height (mm):	1683
Depth (mm):	205
Nett Weight (kg):	3.07

Packaging Dimensions

Height (mm):	1435
Width (mm):	185
Depth (mm):	100
Gross Weight (kg):	3.78

Packaging Data

Box Colour:	White Cardboard Box
Box Qty:	1
Label Size:	100 x 50
Label Colour:	White Label
Label Qty:	2

Outer Box Dimensions (If Applicable)

Height (mm):	210
Width (mm):	1420
Length (mm):	
Depth (mm):	
Gross Weight (kg):	15
Barcode:	5055146108092

Product Details

Country of Origin:	China
Fitting Instruction:	No
CE & UKCA:	N/A
Product Material:	Brass
Heating Element Wattage:	Not Applicable
Colour/Finish:	Chrome
Product Diameter:	35mm
Connection Size:	11/2"