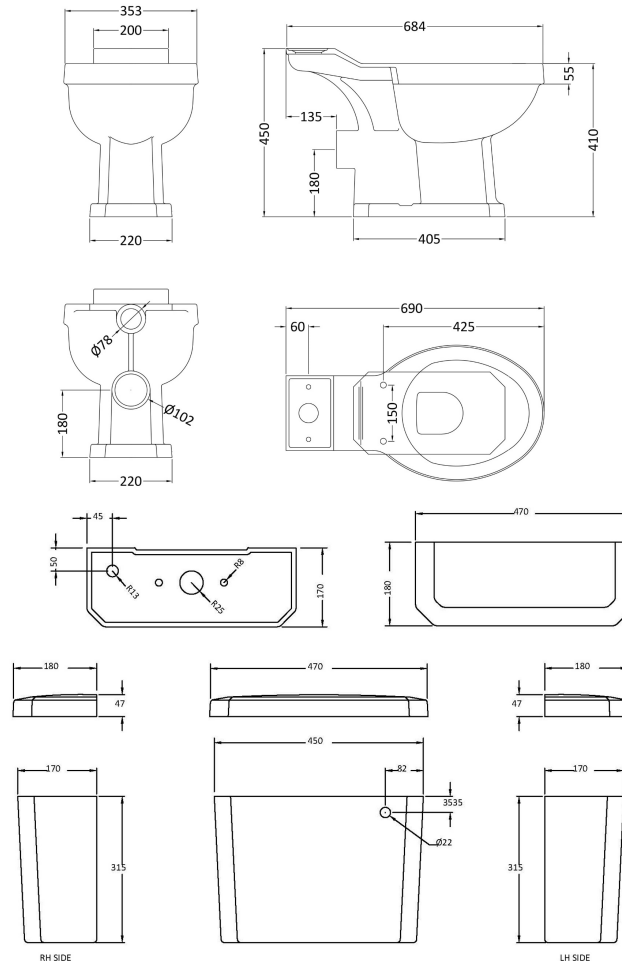


Sales Code: Cct003

Description: Carlton C/C Pan, Cistern & Seat

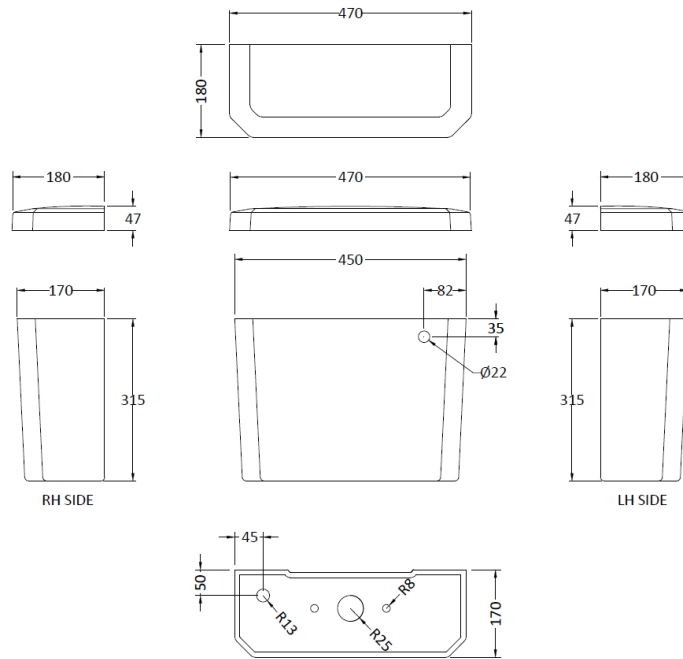
Packaging Details

Barcode: 5056211804888



Sales Code: NCS881A

Description: Toilet Cistern A Chrome Lever & Fttg



Product Dimensions

Height (mm):	362
Width (mm):	470
Depth (mm):	180
Nett Weight (kg):	13.62

Packaging Dimensions

Height (mm):	380
Width (mm):	515
Depth (mm):	200
Gross Weight (kg):	15

Packaging Data

Box Colour:	Brown Cardboard Box
Box Qty:	1
Label Size:	100 x 50
Label Colour:	White Label
Label Qty:	2

Outer Box Dimensions (If Applicable)

Height (mm):	
Width (mm):	
Depth (mm):	
Gross Weight (kg):	
Barcode:	5055369043194

Product Details

Country of Origin:	China
Fitting Instruction:	No
Certification: CE & UKCA:	WRAS: Yes WRAS No: N/A
Product Material:	Vitreous China
Fixing Supplied:	No

Pans/Bidets: Trap Style: Not Applicable Includes Seat: Not Applicable

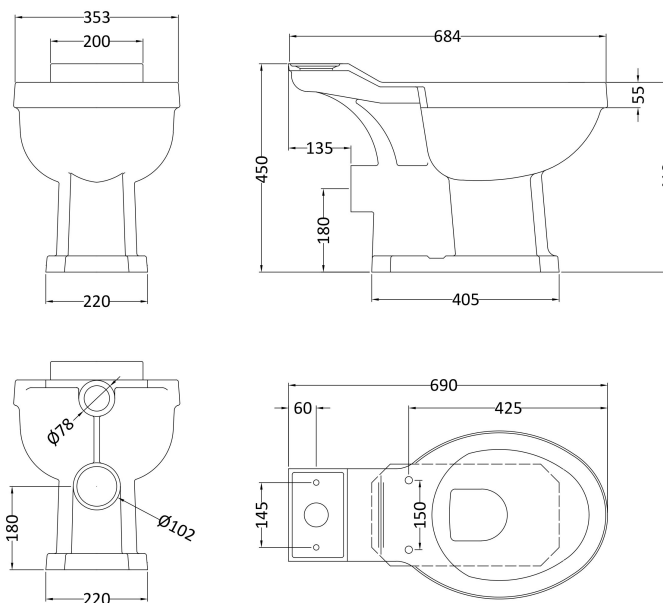
Seats: Seat Type: Not Applicable Material: Not Applicable
Function: Not Applicable Hinge Type: Not Applicable
Hinge Material: Not Applicable

Cisterns: Operating Type: Lever Fittings: Loose Single 6L
Lever Type: Standard Chrome Pla

Basins: Tap Hole: Not Applicable Chain Stay Hole: Not Applicable
Template: Not Applicable Waste Type Req: Not Applicable
Overflow Inc: Not Applicable Overflow Cover: Not Applicable
Inner Bowl Depth (mm): N/A

Sales Code: NCS880

Description: Toilet Pan C/C (Excluding Seat)



Product Dimensions

Height (mm):	450
Width (mm):	353
Depth (mm):	690
Nett Weight (kg):	20.42

Packaging Dimensions

Height (mm):	335
Width (mm):	700
Depth (mm):	450
Gross Weight (kg):	21.5

Packaging Data

Box Colour:	Brown Cardboard Box - Printed
Box Qty:	1
Label Size:	100 x 50
Label Colour:	Not Applicable
Label Qty:	0

Outer Box Dimensions (If Applicable)

Height (mm):	
Width (mm):	
Depth (mm):	
Gross Weight (kg):	
Barcode:	5055369040100

Product Details

Country of Origin:	China
Fitting Instruction:	No
Certification: CE & UKCA:	N/A
WRAS:	N/A
WRAS No:	N/A
Product Material:	Vitreous China
Fixing Supplied:	No

Pans/Bidets: Trap Style: P Trap Includes Seat: No

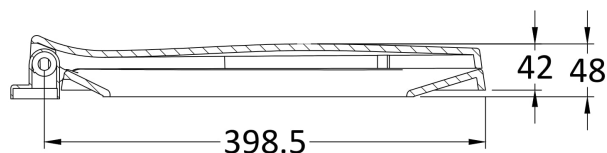
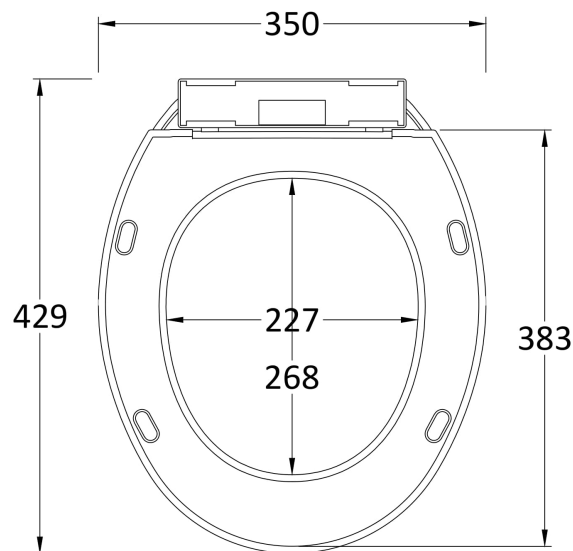
Seats: Seat Type: Round Material: Not Applicable
 Function: Not Applicable Hinge Type: Top & Bottom Fix
 Hinge Material: Not Applicable

Cisterns: Operating Type: Not Applicable Fittings: Not Applicable
 Lever Type: Not Applicable

Basins: Tap Hole: Not Applicable Chain Stay Hole: Not Applicable
 Template: Not Applicable Waste Type Req: Not Applicable
 Overflow Inc: Not Applicable Overflow Cover: Not Applicable
 Inner Bowl Depth (mm): N/A

Sales Code: NTS010

Description: Standard Round Seat, Sc, Bottom Fix



Product Dimensions

Length (mm):	429
Width (mm):	350
Height (mm):	48
Nett Weight (kg):	1.2

Packaging Dimensions

Length (mm):	440
Width (mm):	350
Height (mm):	70
Gross Weight (kg):	1.42

Packaging Data

Box Colour:	White Cardboard Box - Printed
Box Qty:	1
Label Size:	100 x 50
Label Colour:	Not Applicable
Label Qty:	

Outer Box Dimensions (If Applicable)

Length (mm):	480
Width (mm):	330
Height (mm):	400
Gross Weight (kg):	14
Barcode:	5055369001446

Product Details

Country of Origin:	China
Fitting Instruction:	No
CE & UKCA:	Not Applicable
Product Material:	Polypropylene
Seat Type:	Round
Seat Function:	Soft Close
Hinge Centres (Min):	120
Hinge Centres (Max):	180
Hinge Material:	Polypropylene
Colour/Finish:	White
Fixing Method:	Bottom Fix