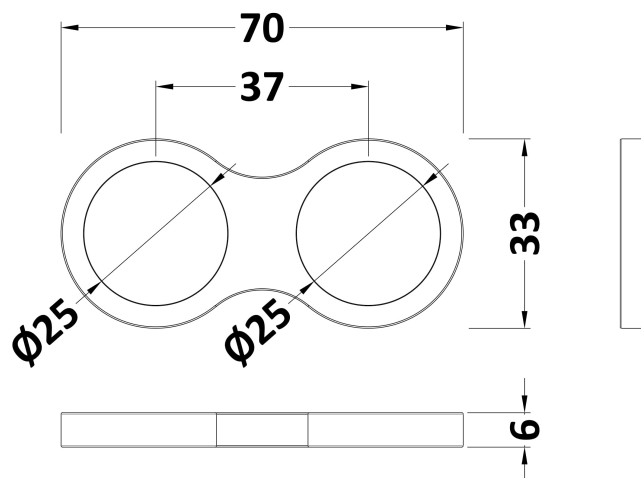


Sales Code: CIR91

Description: Uni Hose Retainer For Slide Rail Kits



Product Dimensions

Length (mm):	
Width (mm):	70
Height (mm):	6
Depth (mm):	33
Nett Weight (kg):	0.02

Packaging Dimensions

Length (mm):	85
Width (mm):	55
Height (mm):	20
Gross Weight (kg):	0.02

Packaging Data

Box Colour:	White Cardboard Box
Box Qty:	1
Label Size:	100 x 50
Label Colour:	White Label
Label Qty:	2

Outer Box Dimensions (If Applicable)

Length (mm):	
Width (mm):	
Height (mm):	
Depth (mm):	
Gross Weight (kg):	9
Barcode:	5055369008223

Product Details

Country of Origin:	China
Fitting Instruction:	No
Product Material:	ABS Plastic
Mount Type:	Not Applicable
Outlet Elbow Supplied:	Not Applicable
Easy Clean:	Not Applicable
Head Included:	No
Handset Included:	Not Applicable
Body Jets Included:	Not Applicable
No of Body Jets:	Not Applicable
Operating Pressure (bar):	
Valve/Cartridge Type:	Not Applicable
Flow Rates (L/min): 0.1 bar: N/A 0.5 bar: N/A 1 bar: N/A 2 bar: N/A 3 bar: N/A	
TMV2 Approved: No	Approval No: N/A
TMV3 Approved: No	Approval No: N/A
WRAS Approved: No	Approval No: N/A
Head Function:	Not Applicable
Handset Function:	Not Applicable
Body Jet Info:	Not Applicable
Pipe Size:	Not Applicable
Pipe Centres:	N/A
Colour/Finish:	Chrome
Hose Included:	Not Applicable
No. of Outlets:	N/A