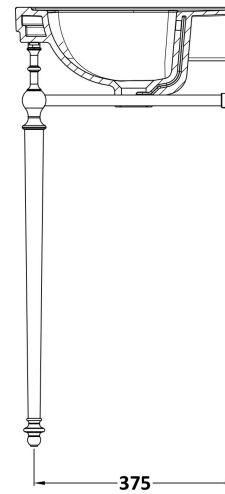
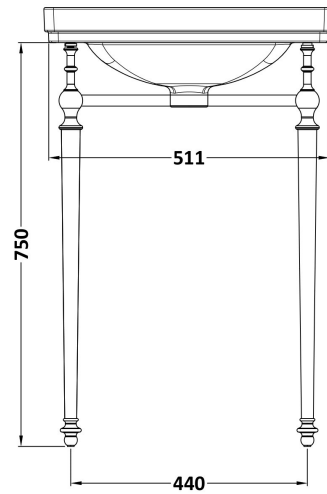
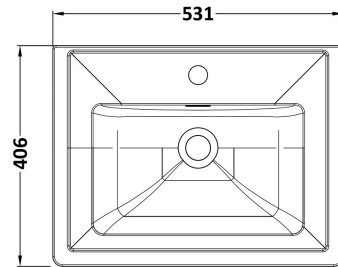


Sales Code: Clb502

Description: Classique 500 1Th Basin With Lux Stand

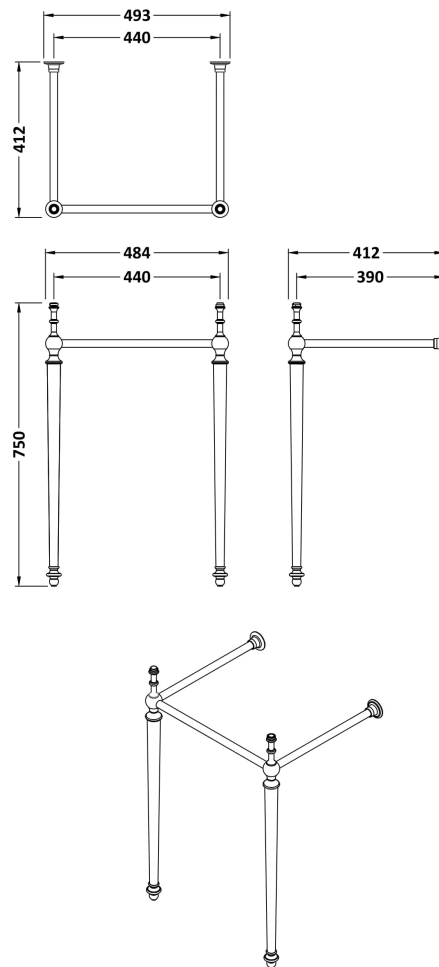


### Packaging Details

Barcode: 5056678444931

Sales Code: NLA002

Description: Traditional Basin Stand



### Product Dimensions

|                   |      |
|-------------------|------|
| Length (mm):      |      |
| Width (mm):       | 493  |
| Height (mm):      | 750  |
| Depth (mm):       | 442  |
| Nett Weight (kg): | 3.58 |

### Packaging Dimensions

|                    |      |
|--------------------|------|
| Height (mm):       | 600  |
| Width (mm):        | 295  |
| Depth (mm):        | 90   |
| Gross Weight (kg): | 3.95 |

### Packaging Data

|               |                     |
|---------------|---------------------|
| Box Colour:   | Brown Cardboard Box |
| Box Qty:      | 1                   |
| Label Size:   | 100 x 50            |
| Label Colour: | White Label         |
| Label Qty:    | 2                   |

### Outer Box Dimensions (If Applicable)

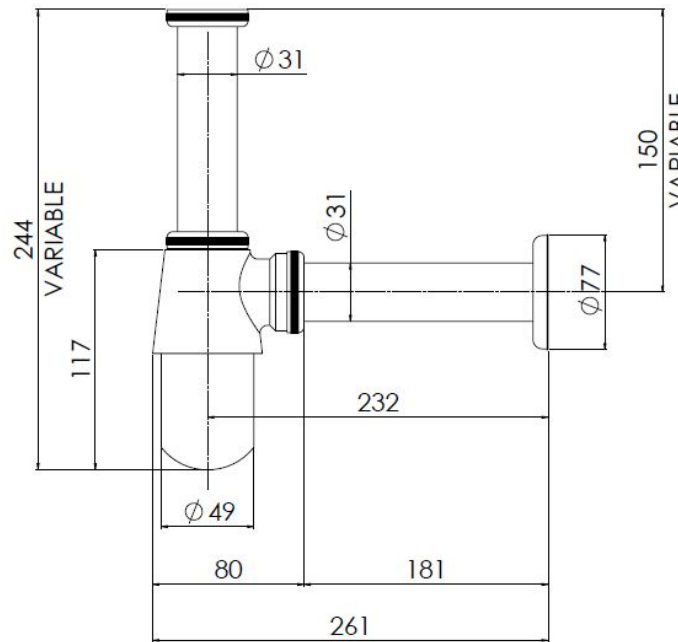
|                    |               |
|--------------------|---------------|
| Height (mm):       |               |
| Width (mm):        |               |
| Length (mm):       |               |
| Depth (mm):        |               |
| Gross Weight (kg): |               |
| Barcode:           | 5056211868675 |

### Product Details

|                          |                 |
|--------------------------|-----------------|
| Country of Origin:       | China           |
| Fitting Instruction:     | No              |
| CE & UKCA:               | N/A             |
| Product Material:        | Stainless Steel |
| Heating Element Wattage: | Not Applicable  |
| Colour/Finish:           | Chrome          |
| Product Diameter:        | N/A             |
| Connection Size:         | Not Applicable  |

Sales Code: EA370

Description: Basin Bottle Trap



### Product Dimensions

|                   |      |
|-------------------|------|
| Length (mm):      |      |
| Width (mm):       | 361  |
| Height (mm):      | 240  |
| Depth (mm):       | 45   |
| Nett Weight (kg): | 0.66 |

### Packaging Dimensions

|                    |      |
|--------------------|------|
| Height (mm):       | 200  |
| Width (mm):        | 110  |
| Depth (mm):        | 85   |
| Gross Weight (kg): | 0.66 |

### Packaging Data

|               |                     |
|---------------|---------------------|
| Box Colour:   | White Cardboard Box |
| Box Qty:      | 1                   |
| Label Size:   | 100 x 50            |
| Label Colour: | White Label         |
| Label Qty:    | 2                   |

### Outer Box Dimensions (If Applicable)

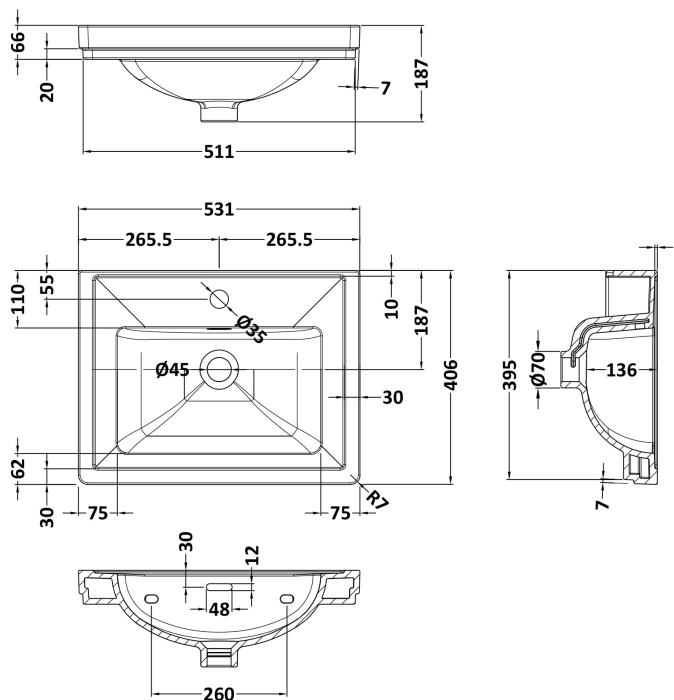
|                    |               |
|--------------------|---------------|
| Height (mm):       |               |
| Width (mm):        |               |
| Length (mm):       |               |
| Depth (mm):        |               |
| Gross Weight (kg): | 20            |
| Barcode:           | 5055146103998 |

### Product Details

|                          |                |
|--------------------------|----------------|
| Country of Origin:       | China          |
| Fitting Instruction:     | No             |
| CE & UKCA:               | N/A            |
| Product Material:        | Brass          |
| Heating Element Wattage: | Not Applicable |
| Colour/Finish:           | Chrome         |
| Product Diameter:        | 73mm           |
| Connection Size:         | 11/4"          |

Sales Code: CBM502

Description: 500 Classique Basin 1Th



**Product Dimensions**

|                   |      |
|-------------------|------|
| Height (mm):      | 187  |
| Width (mm):       | 531  |
| Depth (mm):       | 406  |
| Nett Weight (kg): | 13.5 |

**Packaging Dimensions**

|                    |      |
|--------------------|------|
| Height (mm):       | 430  |
| Width (mm):        | 550  |
| Depth (mm):        | 220  |
| Gross Weight (kg): | 13.5 |

**Packaging Data**

|               |                               |
|---------------|-------------------------------|
| Box Colour:   | Brown Cardboard Box - Printed |
| Box Qty:      | 1                             |
| Label Size:   | 100 x 50                      |
| Label Colour: | White Label                   |
| Label Qty:    | 2                             |

**Outer Box Dimensions (If Applicable)**

|                    |               |
|--------------------|---------------|
| Height (mm):       |               |
| Width (mm):        |               |
| Depth (mm):        |               |
| Gross Weight (kg): |               |
| Barcode:           | 5056462643632 |

**Product Details**

|                              |                        |
|------------------------------|------------------------|
| Country of Origin:           | Utd.Arab.Emir.         |
| Fitting Instruction:         | No                     |
| Certification: CE & UKCA: No | WRAS: N/A WRAS No: N/A |
| Product Material:            | Fireclay               |
| Fixing Supplied:             | No                     |

**Pans/Bidets:** Trap Style: N/A Includes Seat: Not Applicable

**Seats:** Seat Type: N/A Material: Not Applicable  
 Function: Not Applicable Hinge Type: Not Applicable  
 Hinge Material: Not Applicable

**Cisterns:** Operating Type: Not Applicable Fittings: Not Applicable  
 Lever Type: Not Applicable

**Basins:** Tap Hole: One Taphole Chain Stay Hole: No  
 Template: Not Required Waste Type Req: Slotted  
 Overflow Inc: Yes Overflow Cover: Yes  
 Inner Bowl Depth (mm): 136 mm