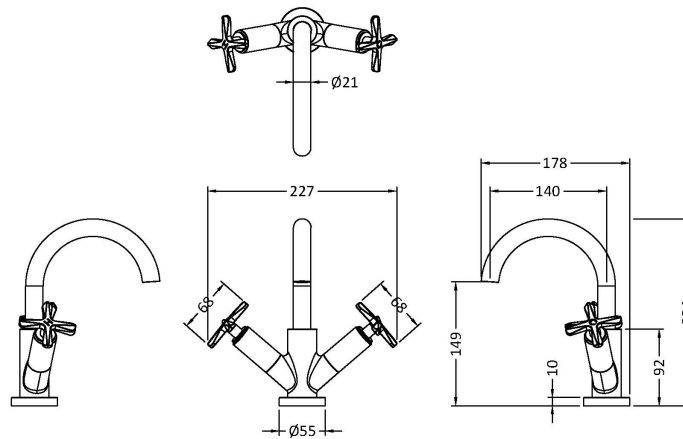


Sales Code: CLX415

Description: Aztec Mono Basin Mixer Inc Waste



Product Dimensions

| | |
|-------------------|-----|
| Height (mm): | 217 |
| Width (mm): | 230 |
| Depth (mm): | 175 |
| Length (mm): | |
| Nett Weight (kg): | 2.5 |

Packaging Dimensions

| | |
|--------------------|-----|
| Height (mm): | 90 |
| Width (mm): | 175 |
| Depth (mm): | 270 |
| Gross Weight (kg): | 2.6 |

Packaging Data

| | |
|---------------|---------------------|
| Box Colour: | White Cardboard Box |
| Box Qty: | 1 |
| Label Size: | 100 x 50 |
| Label Colour: | White Label |
| Label Qty: | 2 |

Outer Box Dimensions (If Applicable)

| | |
|--------------------|---------------|
| Height (mm): | 410 |
| Width (mm): | 557 |
| Depth (mm): | 295 |
| Length (mm): | |
| Gross Weight (kg): | 20 |
| Barcode: | 5056462699257 |

Product Details

| | |
|---------------------------|-----------------------|
| Country of Origin: | United Kingdom |
| Fitting Instruction: | No |
| Product Material: | Brass |
| Control Type: | Manual |
| Waste Included: | Waste Included |
| Waste Type: | Push Button |
| WRAS Approval: Yes | Approval No: 2206030 |
| Valve/Cartridge Type: | 1/4 Turn Ceramic Disc |
| Colour/Finish: | Matt Black |
| Mount Type: | Deck |
| Operating Pressure (bar): | 0.1 |

| | | | | | |
|------------------------------|------------|-------------|-----------|-----------|-----------|
| Flow Rates: (Litres Per Min) | 0.1 bar: 3 | 0.5 bar: 16 | 1 bar: 22 | 2 bar: 31 | 3 bar: 38 |
| Pipe Size: | 15 mm | | | | |
| Pipe Centres: | N/A | | | | |