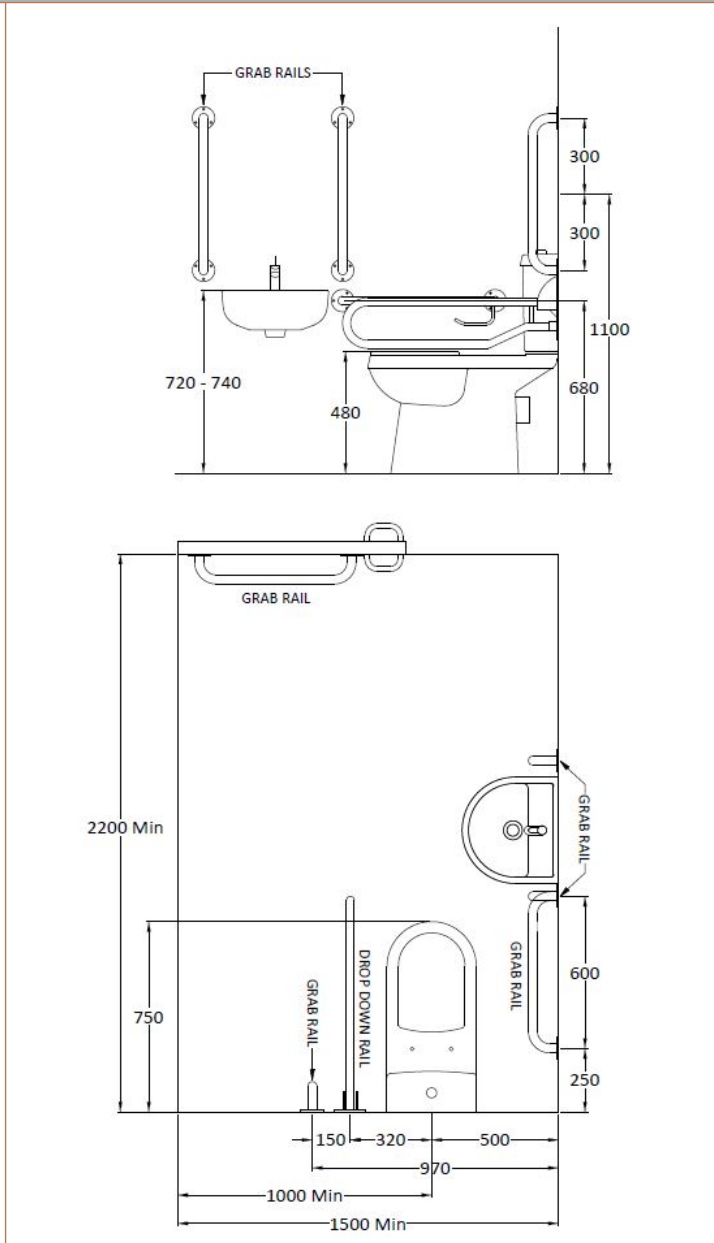


Sales Code: DOCMP002

Description: Doc M Pack Blue



**Product Dimensions**

Height (mm):	0
Width (mm):	0
Depth (mm):	
Nett Weight (kg):	64.5

**Packaging Dimensions**

Height (mm):	650
Width (mm):	620
Depth (mm):	870
Gross Weight (kg):	64.5

**Packaging Data**

Box Colour:	Brown Cardboard Box - Printed
Box Qty:	1
Label Size:	100 x 50
Label Colour:	White Label
Label Qty:	2

**Outer Box Dimensions (If Applicable)**

Height (mm):	
Width (mm):	
Depth (mm):	
Gross Weight (kg):	
Barcode:	5055369028405

**Product Details**

Country of Origin:	China
Fitting Instruction:	No
Certification: CE & UKCA:	No
WRAS:	N/A
WRAS No:	N/A
Product Material:	Vitreous China
Fixing Supplied:	No

**Pans/Bidets:** Trap Style: P Trap Includes Seat: Yes

**Seats:** Seat Type: Round Material: Polypropylene  
Function: Std - Non Soft Close Hinge Type: Bottom Fix  
Hinge Material: Plastic

**Cisterns:** Operating Type: Push Button Fittings: Loose Single 6L  
Lever Type: Plastic Chrome Plate

**Basins:** Tap Hole: One Taphole Chain Stay Hole: No  
Template: Not Required Waste Type Req: Slotted  
Overflow Inc: Yes Overflow Cover: No  
Inner Bowl Depth (mm): 155mm