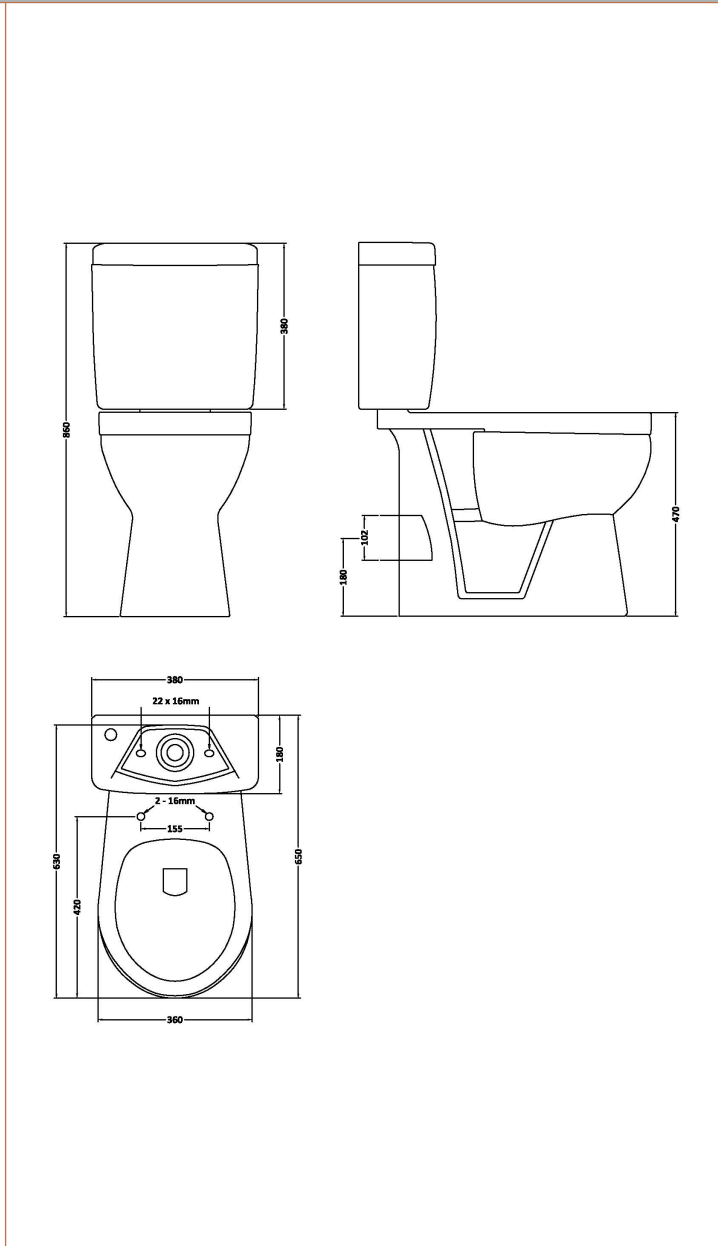


Sales Code: DOCMP100

Description: Doc M Pan Cistern & Seat



Product Dimensions

Height (mm):	
Width (mm):	
Depth (mm):	
Nett Weight (kg):	36.5

Packaging Dimensions

Height (mm):	500
Width (mm):	390
Depth (mm):	690
Gross Weight (kg):	36.5

Packaging Data

Box Colour:	Brown Cardboard Box - Printed	
Box Qty:	1	
Label Size:	100 x 50	
Label Colour:	White Label	
Label Qty:	2	

Outer Box Dimensions (If Applicable)

Height (mm):	
Width (mm):	
Depth (mm):	
Gross Weight (kg):	
Barcode:	5055369041770

Product Details

Country of Origin:	China	
Fitting Instruction:	No	
Certification: CE & UKCA:	Yes	WRAS: N/A WRAS No: N/A
Product Material:	Vitreous China	
Fixing Supplied:	No	

Pans/Bidets:	Trap Style: P Trap	Includes Seat: Yes
---------------------	--------------------	--------------------

Seats:	Seat Type: Round	Material: Polypropylene
	Function: Soft Close	Hinge Type: Bottom Fix
	Hinge Material: Plastic	

Cisterns:	Operating Type: Push Button	Fittings: Loose Single 6L
	Lever Type: Paddle Chrome Plater	

Basins:	Tap Hole: Not Applicable	Chain Stay Hole: Not Applicable
	Template: Not Applicable	Waste Type Req: Not Applicable
	Overflow Inc: Yes	Overflow Cover: Not Applicable
	Inner Bowl Depth (mm): N/A	