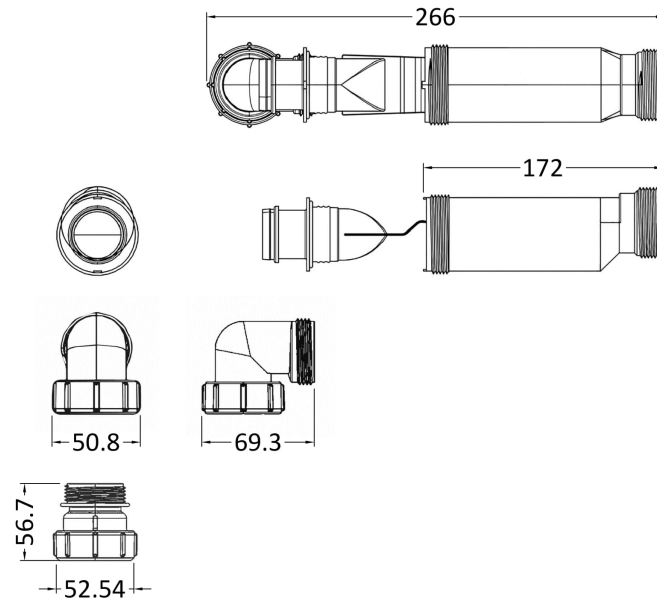


Sales Code: E323

Description: In Line One Way Trap



Product Dimensions

Length (mm):	
Width (mm):	54
Height (mm):	54
Depth (mm):	266
Nett Weight (kg):	0.25

Packaging Dimensions

Height (mm):	250
Width (mm):	32
Depth (mm):	32
Gross Weight (kg):	0.26

Packaging Data

Box Colour:	White Cardboard Box
Box Qty:	1
Label Size:	100 x 50
Label Colour:	White Label
Label Qty:	2

Outer Box Dimensions (If Applicable)

Height (mm):	400
Width (mm):	600
Length (mm):	
Depth (mm):	
Gross Weight (kg):	
Barcode:	5056211817529

Product Details

Country of Origin:	United Kingdom
Fitting Instruction:	No
CE & UKCA:	N/A
Product Material:	Pp
Heating Element Wattage:	Not Applicable
Colour/Finish:	White
Product Diameter:	Not Applicable
Connection Size:	3/4"