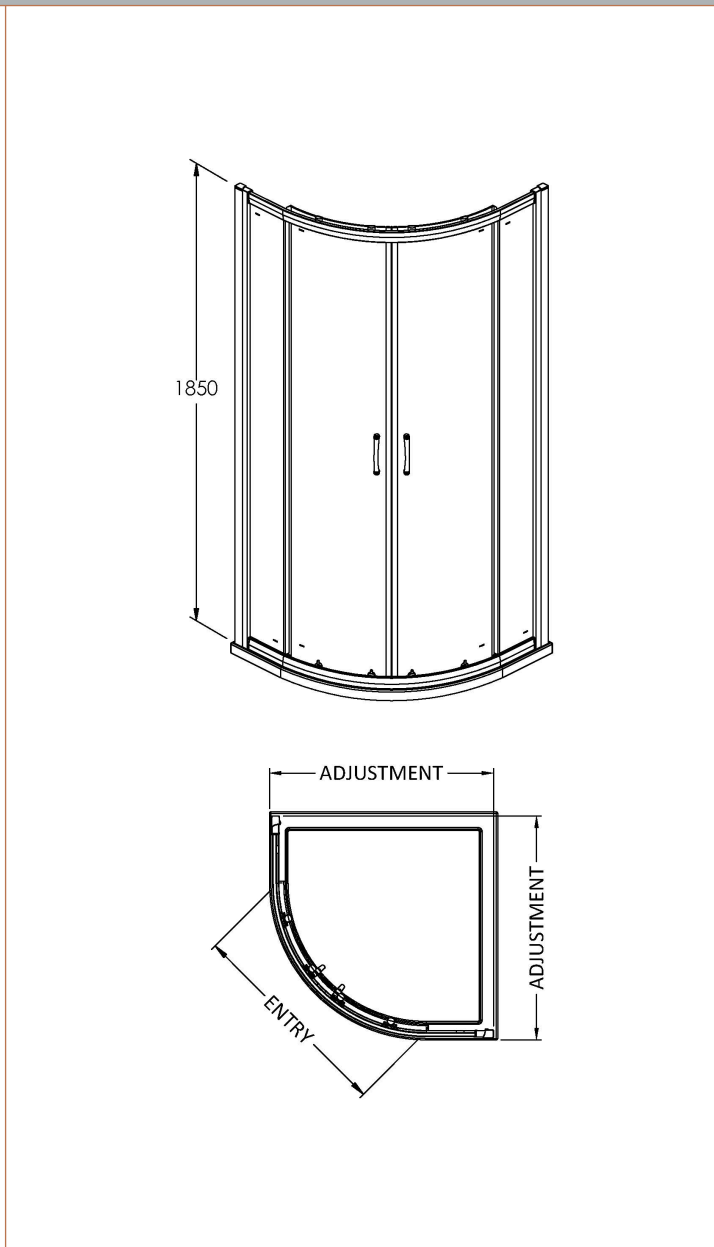


Sales Code: ERQ9

Description: Ella Quadrant Enclosure 900X900mm



Product Dimensions

| | |
|-------------------|------|
| Height (mm): | 1850 |
| Width (mm): | 885 |
| Depth (mm): | 885 |
| Nett Weight (kg): | 35 |

Packaging Dimensions

| | |
|--------------------|------|
| Height (mm): | 1910 |
| Width (mm): | 410 |
| Length (mm): | 110 |
| Gross Weight (kg): | 35 |

Packaging Data

| | |
|---------------|-------------------------------|
| Box Colour: | Brown Cardboard Box - Printed |
| Box Qty: | 1 |
| Label Size: | 100 x 50 |
| Label Colour: | Not Applicable |
| Label Qty: | 0 |

Outer Box Dimensions (If Applicable)

| | |
|--------------------|---------------|
| Height (mm): | |
| Width (mm): | |
| Depth (mm): | |
| Length (mm): | |
| Gross Weight (kg): | |
| Barcode: | 5055369078608 |

Product Details

| | |
|-----------------------|------------------------------|
| Country of Origin: | China |
| Fitting Instruction: | No |
| CE & UKCA: | Yes |
| Profile Material: | Aluminium |
| Profile Finish: | Chrome |
| Adjustments (mm): | 865mm - 885mm |
| Entry Width (mm): | 530mm |
| Swing In Dim (mm): | N/A |
| Swing Out Dim (mm): | N/A |
| Radius (mm): | 538 mm |
| Glass Thickness (mm): | 5 |
| Easy Fit: | Yes |
| Easy Clean: | No |
| Handle Style: | D Shape Handle |
| Handle Material: | Plastic |
| Enclosure Design: | Framed |
| Wheel Type: | Plastic, Dual, Quick Release |
| Support Bar Included: | Support Bar Not Included |
| Extras: | None |