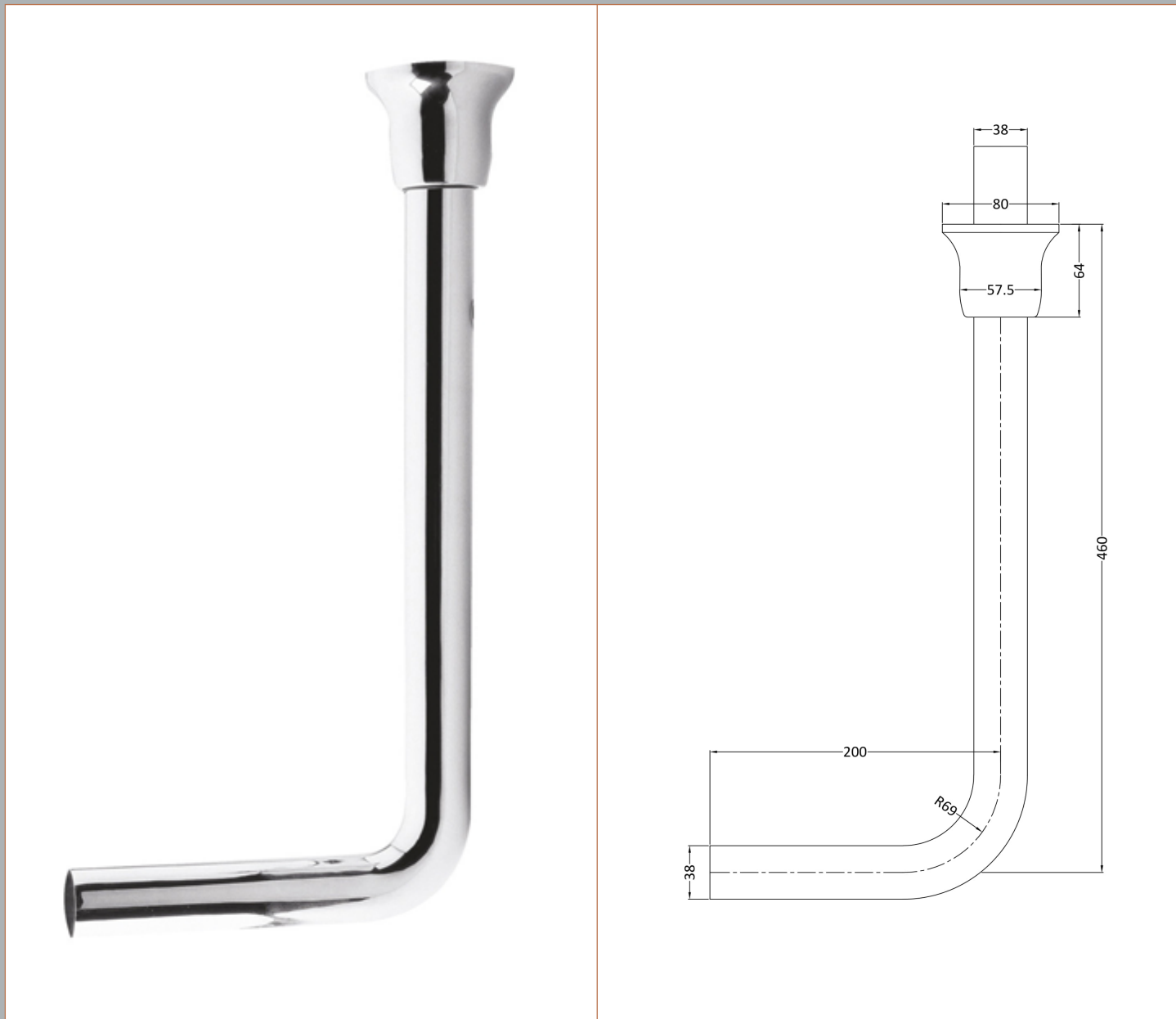


Sales Code: FA302

Description: Low Level Flush Pipe Pack



Product Dimensions

| | |
|-------------------|------|
| Length (mm): | |
| Width (mm): | 81 |
| Height (mm): | 480 |
| Depth (mm): | 220 |
| Nett Weight (kg): | 0.78 |

Packaging Dimensions

| | |
|--------------------|-----|
| Height (mm): | 540 |
| Width (mm): | 200 |
| Depth (mm): | 75 |
| Gross Weight (kg): | 0.8 |

Packaging Data

| | |
|---------------|---------------------|
| Box Colour: | White Cardboard Box |
| Box Qty: | 1 |
| Label Size: | 100 x 50 |
| Label Colour: | White Label |
| Label Qty: | 2 |

Outer Box Dimensions (If Applicable)

| | |
|--------------------|---------------|
| Height (mm): | |
| Width (mm): | |
| Length (mm): | |
| Depth (mm): | |
| Gross Weight (kg): | 6 |
| Barcode: | 5055146107613 |

Product Details

| | |
|--------------------------|----------------|
| Country of Origin: | China |
| Fitting Instruction: | No |
| CE & UKCA: | N/A |
| Product Material: | Brass |
| Heating Element Wattage: | Not Applicable |
| Colour/Finish: | Chrome |
| Product Diameter: | 38mm |
| Connection Size: | 11/2" |