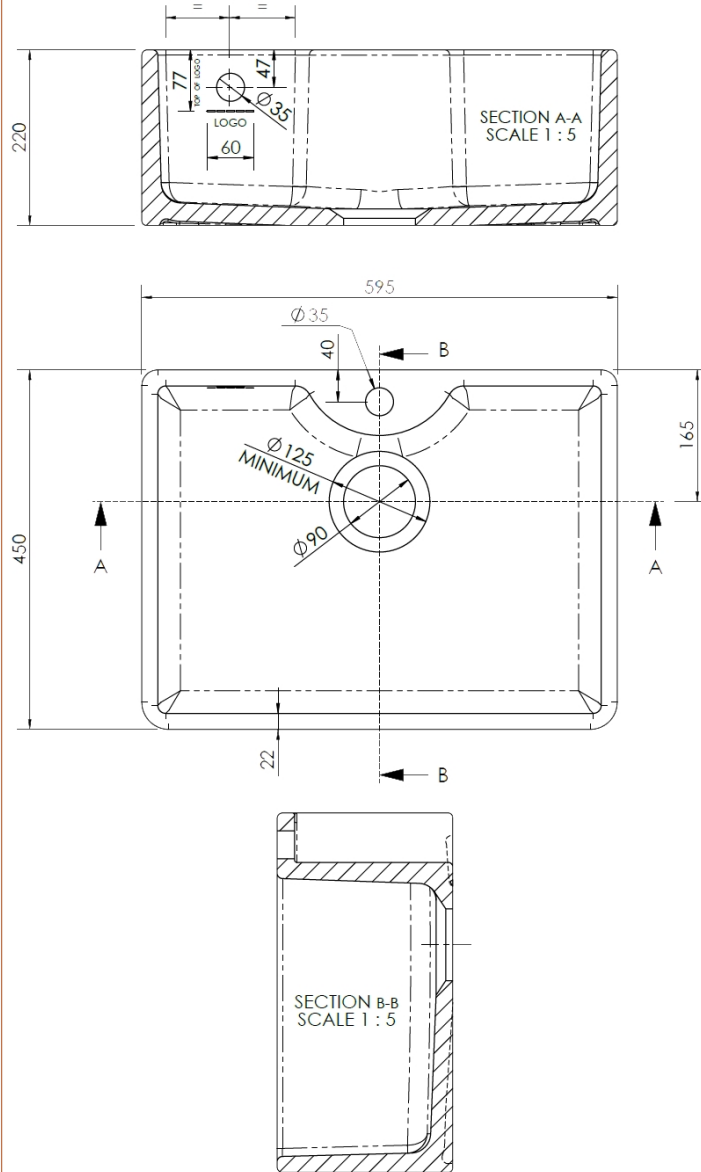


Sales Code: FCS004

Description: Sgl Bowl Sink Tap Hole 595X450x220



Product Dimensions

Height (mm):	220
Width (mm):	595
Depth (mm):	450
Nett Weight (kg):	30

Packaging Dimensions

Height (mm):	615
Width (mm):	465
Depth (mm):	615
Gross Weight (kg):	30

Packaging Data

Box Colour:	Brown Cardboard Box
Box Qty:	1
Label Size:	100 x 50
Label Colour:	White Label
Label Qty:	2

Outer Box Dimensions (If Applicable)

Height (mm):	
Width (mm):	
Depth (mm):	
Gross Weight (kg):	
Barcode:	5056211886921

Product Details

Country of Origin:	Utd.Arab.Emir.
Fitting Instruction:	
UPC/cUPC:	Yes UPC/cUPC No: 311189
Product Material:	
Colour:	White
Waste Type Req:	90mm Strainer Waste
Number of bowls:	1
Overflow Inc:	
Flute Size:	N/A
Outlet Size:	90mm
Rebate Size:	N/A
Template:	No
Care Guide:	Yes
Extras:	N/A