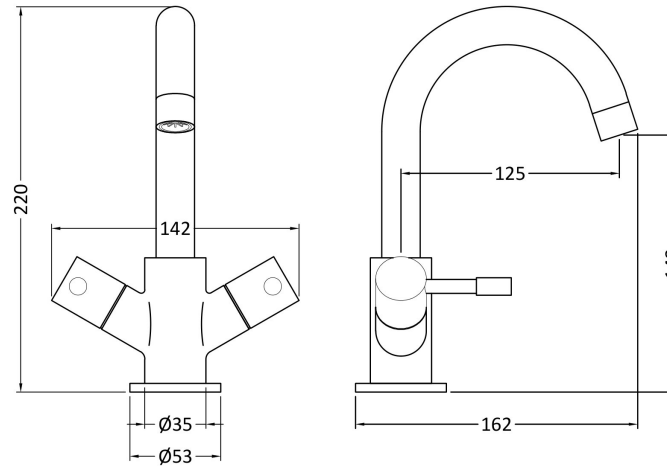


Sales Code: FJ317

Description: Series 2 Econ Mono Swvel Spout With Wast



Product Dimensions

Height (mm):	220
Width (mm):	142
Depth (mm):	162
Length (mm):	
Nett Weight (kg):	0.54

Packaging Dimensions

Height (mm):	75
Width (mm):	220
Depth (mm):	265
Gross Weight (kg):	1.04

Packaging Data

Box Colour:	White Cardboard Box
Box Qty:	1
Label Size:	100 x 50
Label Colour:	White Label
Label Qty:	2

Outer Box Dimensions (If Applicable)

Height (mm):	300
Width (mm):	270
Depth (mm):	500
Length (mm):	
Gross Weight (kg):	14
Barcode:	5055146185598

Product Details

Country of Origin:	China
Fitting Instruction:	No
Product Material:	Brass
Control Type:	Manual
Waste Included:	Waste Included
Waste Type:	Not Applicable
WRAS Approval: No	Approval No: N/A
Valve/Cartridge Type:	1/4 Turn Ceramic Disc
Colour/Finish:	Chrome
Mount Type:	Deck
Operating Pressure (bar):	0.2
Flow Rates: (Litres Per Min)	0.1 bar: 5 0.5 bar: 7 1 bar: 9 2 bar: 12 3 bar: 14
Pipe Size:	15 mm
Pipe Centres:	N/A