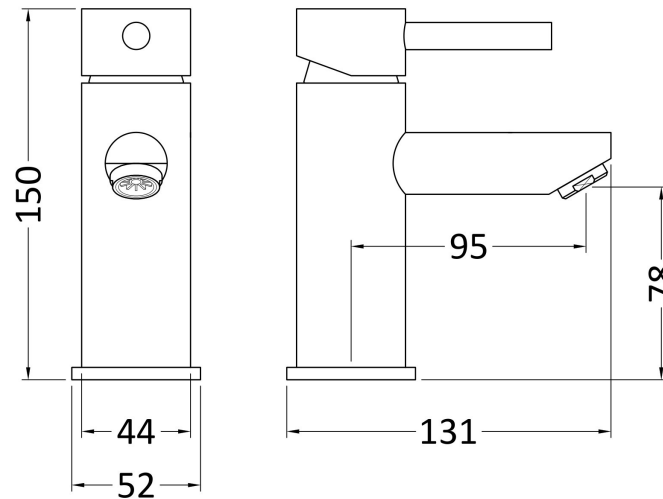


Sales Code: FJ318

Description: Series 2 Single Lever Mono With Waste



### Product Dimensions

Height (mm):	150
Width (mm):	52
Depth (mm):	131
Length (mm):	
Nett Weight (kg):	0.95

### Packaging Dimensions

Height (mm):	149
Width (mm):	54
Depth (mm):	180
Gross Weight (kg):	1.15

### Packaging Data

Box Colour:	White Cardboard Box
Box Qty:	1
Label Size:	100 x 50
Label Colour:	White Label
Label Qty:	2

### Outer Box Dimensions (If Applicable)

Height (mm):	265
Width (mm):	355
Depth (mm):	420
Length (mm):	
Gross Weight (kg):	14
Barcode:	5055275870655

### Product Details

Country of Origin:	China
Fitting Instruction:	No
Product Material:	Brass
Control Type:	Manual
Waste Included:	Waste Included
Waste Type:	Not Applicable
WRAS Approval: N/A	Approval No: N/A
Valve/Cartridge Type:	Single Lever Cartridge
Colour/Finish:	Chrome
Mount Type:	Deck
Operating Pressure (bar):	0.2
Flow Rates: (Litres Per Min) 0.1 bar: 3.3 0.5 bar: 8.3 1 bar: 11.9 2 bar: 17.1 3 bar: 21.2	
Pipe Size:	15 mm
Pipe Centres:	N/A