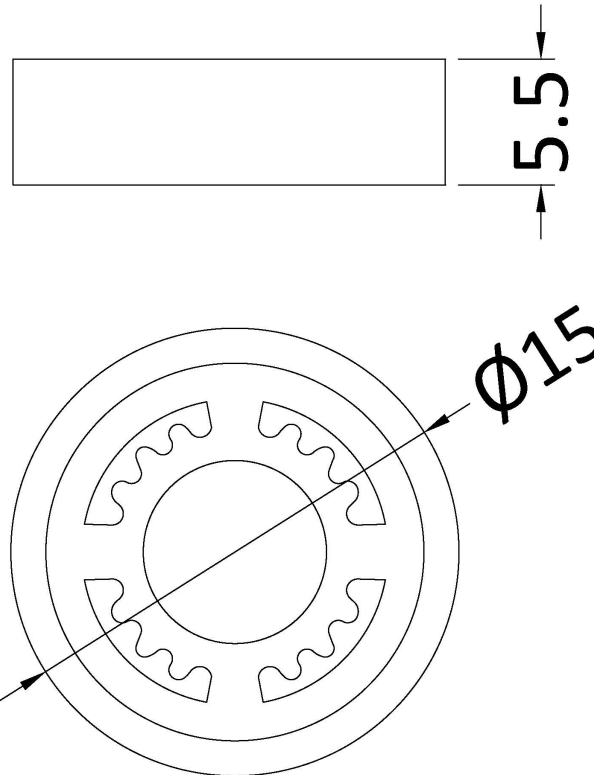


Sales Code: FR201

Description: Basin Tap Flow Regulator Pair (6 Lpm)



Product Dimensions

Height (mm):	5
Width (mm):	15
Depth (mm):	0
Length (mm):	
Nett Weight (kg):	0.01

Packaging Dimensions

Height (mm):	5
Width (mm):	125
Depth (mm):	210
Gross Weight (kg):	0.01

Packaging Data

Box Colour:	White Cardboard Box
Box Qty:	1
Label Size:	100 x 50
Label Colour:	White Label
Label Qty:	2

Outer Box Dimensions (If Applicable)

Height (mm):	
Width (mm):	
Depth (mm):	
Length (mm):	
Gross Weight (kg):	0
Barcode:	5055146169581

Product Details

Country of Origin:	United Kingdom
Fitting Instruction:	No
Product Material:	ABS
Control Type:	Not Applicable
Waste Included:	Not Applicable
Waste Type:	Not Applicable
WRAS Approval: No	Approval No: N/A
Valve/Cartridge Type:	Not Applicable
Colour/Finish:	Plastic
Mount Type:	Not Applicable
Operating Pressure (bar):	0.1

Flow Rates: (Litres Per Min) 0.1 bar: N/A 0.5 bar: N/A 1 bar: N/A 2 bar: N/A 3 bar: N/A

Pipe Size: Not Applicable

Pipe Centres: N/A