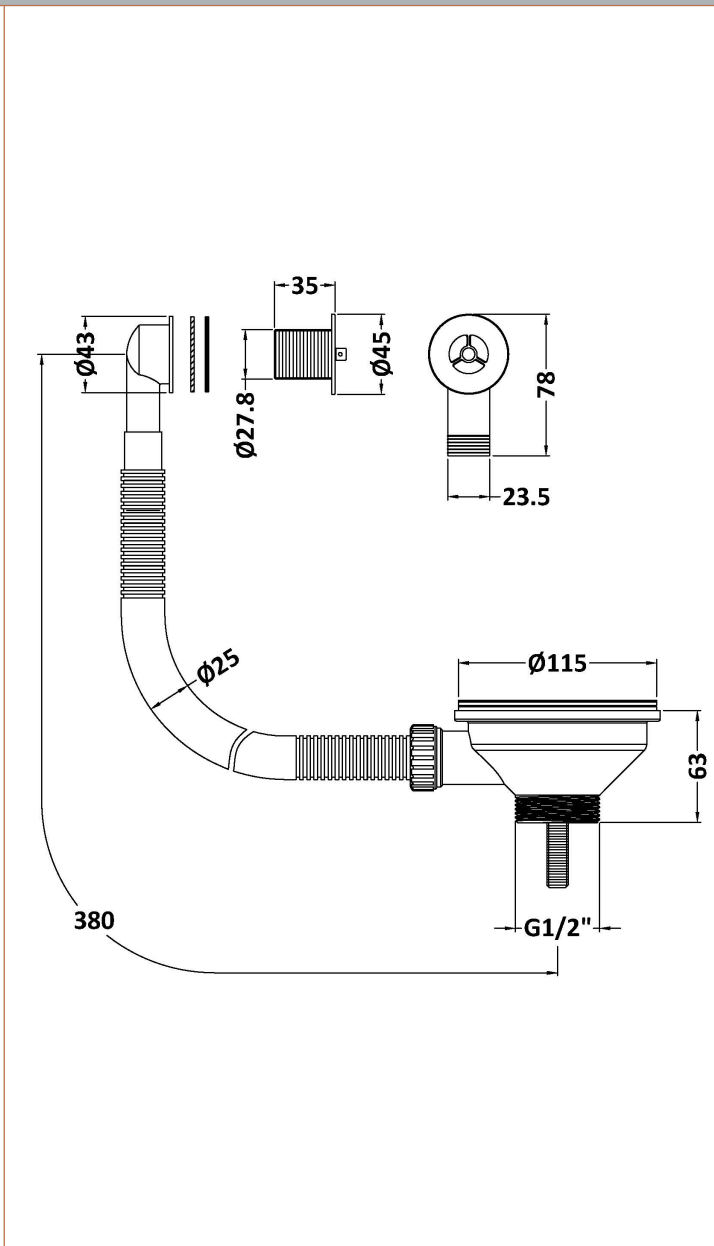


Sales Code: FW316SRB

Description: Basket Strainer Waste (Round Overflow)



Product Dimensions

Length (mm):	
Width (mm):	115
Height (mm):	63
Depth (mm):	115
Nett Weight (kg):	0.39

Packaging Dimensions

Height (mm):	142
Width (mm):	122
Depth (mm):	100
Gross Weight (kg):	0.39

Packaging Data

Box Colour:	White Cardboard Box
Box Qty:	1
Label Size:	100 x 50
Label Colour:	White Label
Label Qty:	1

Outer Box Dimensions (If Applicable)

Height (mm):	
Width (mm):	
Length (mm):	
Depth (mm):	
Gross Weight (kg):	
Barcode:	5056462666655

Product Details

Country of Origin:	China
Fitting Instruction:	No
CE & UKCA:	N/A
Product Material:	Brass/ABS/S-Steel
Heating Element Wattage:	Not Applicable
Colour/Finish:	Chrome
Product Diameter:	115mm
Connection Size:	1/2"