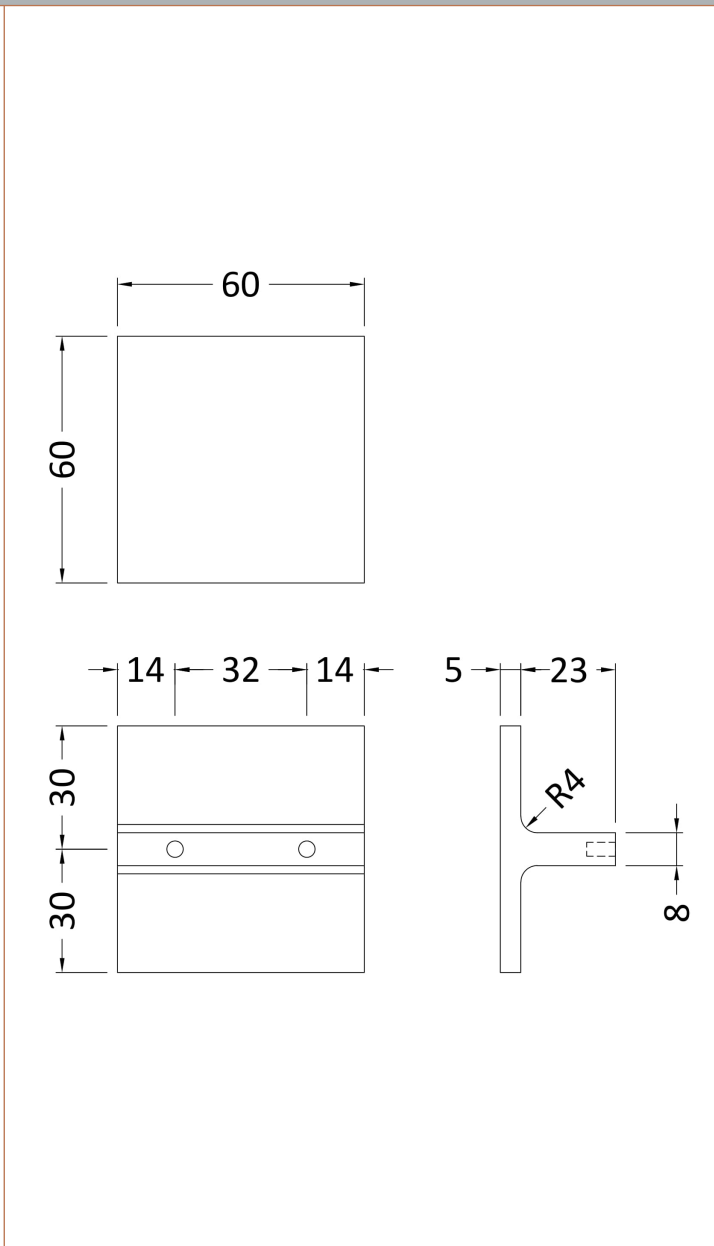
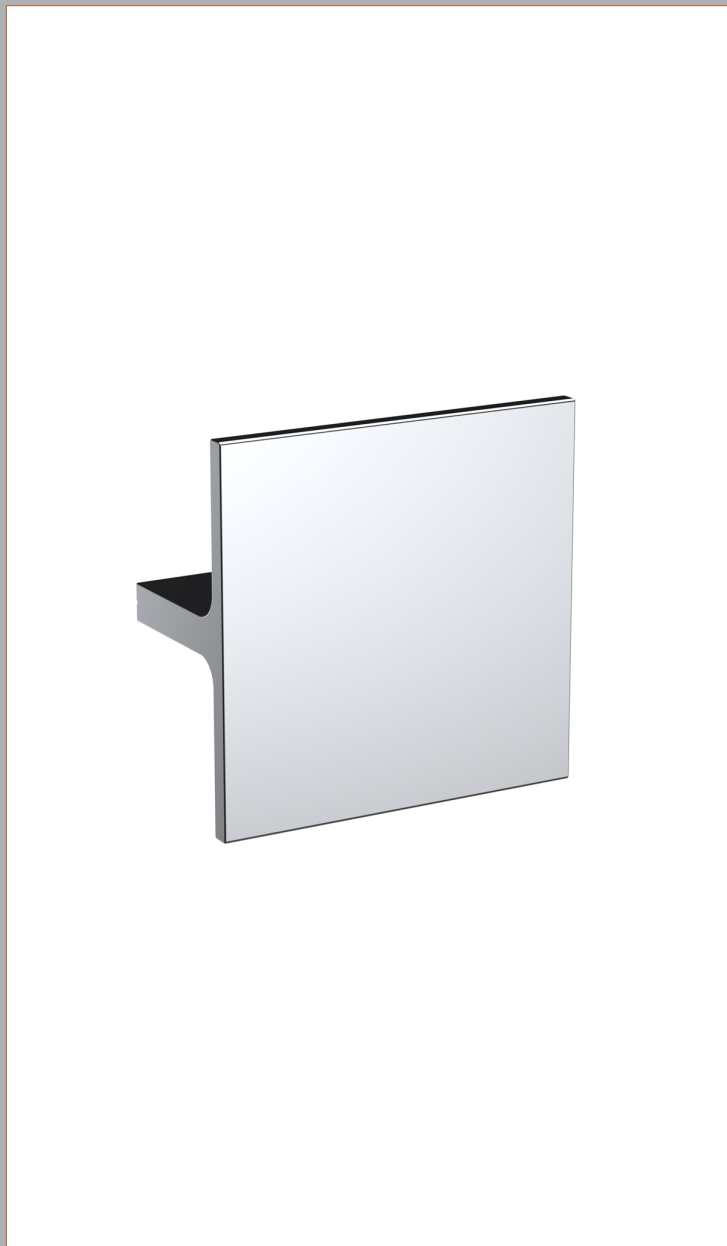


Sales Code: H111

Description: Square Knob



| Product Dimensions | |
|--------------------------------------|----------------|
| Length (mm): | |
| Width (mm): | 60 |
| Height (mm): | 60 |
| Depth (mm): | 28 |
| Nett Weight (kg): | 0.07 |
| Packaging Dimensions | |
| Height (mm): | 30 |
| Width (mm): | 20 |
| Depth (mm): | 41 |
| Gross Weight (kg): | 0.07 |
| Packaging Data | |
| Box Colour: | Polybagged |
| Box Qty: | 1 |
| Label Size: | 100 x 50 |
| Label Colour: | White Label |
| Label Qty: | 1 |
| Outer Box Dimensions (If Applicable) | |
| Height (mm): | |
| Width (mm): | |
| Length (mm): | |
| Depth (mm): | |
| Gross Weight (kg): | |
| Barcode: | 5056211899488 |
| Product Details | |
| Country of Origin: | Turkey |
| Fitting Instruction: | No |
| CE & UKCA: | N/A |
| Product Material: | Aluminium |
| Heating Element Wattage: | Not Applicable |
| Colour/Finish: | Chrome |
| Product Diameter: | 60 mm |
| Connection Size: | 32 mm Centres |