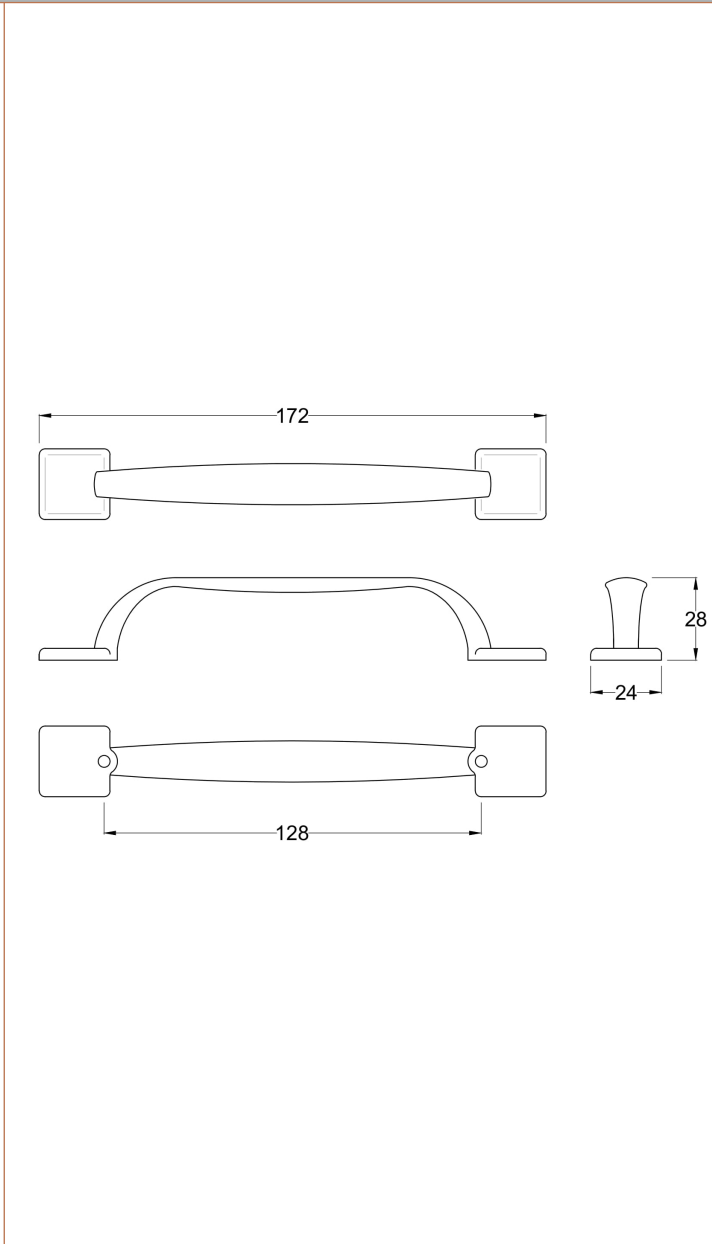


Sales Code: H1235

Description: Square Strap Handle



Product Dimensions

Length (mm):	
Width (mm):	24
Height (mm):	172
Depth (mm):	28
Nett Weight (kg):	0.1

Packaging Dimensions

Height (mm):	220
Width (mm):	30
Depth (mm):	20
Gross Weight (kg):	0.1

Packaging Data

Box Colour:	Polybagged
Box Qty:	1
Label Size:	100 x 50
Label Colour:	White Label
Label Qty:	1

Outer Box Dimensions (If Applicable)

Height (mm):	
Width (mm):	
Length (mm):	
Depth (mm):	
Gross Weight (kg):	
Barcode:	5056211855446

Product Details

Country of Origin:	United Kingdom
Fitting Instruction:	No
CE & UKCA:	N/A
Product Material:	Brass
Heating Element Wattage:	Not Applicable
Colour/Finish:	Chrome
Product Diameter:	N/A
Connection Size:	128 Centres