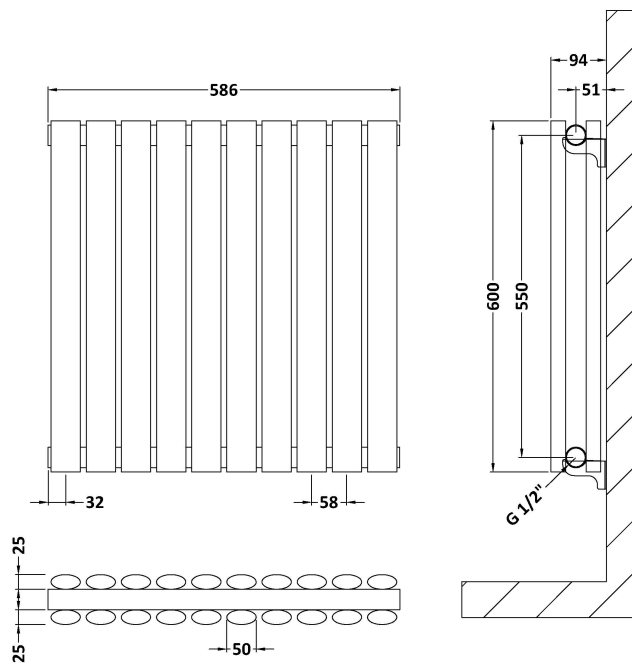


**Sales Code:** HL338D

**Description:** Revive Horizontal Double Panel 600X586



**Product Dimensions**

Height (mm):	600
Width (mm):	586
Depth (mm):	78
Length (mm):	
Nett Weight (kg):	22.6

**Packaging Dimensions**

Height (mm):	660
Width (mm):	650
Length (mm):	105
Gross Weight (kg):	23.1

**Packaging Data**

Box Colour:	White Cardboard Shrinkwrapped
Box Qty:	1
Label Size:	100 x 50
Label Colour:	White Label
Label Qty:	2

**Outer Box Dimensions (If Applicable)**

Height (mm):	
Width (mm):	
Length (mm):	
Gross Weight (kg):	
Barcode:	5056211885191

**Product Details**

Country of Origin:	China
Fitting Instruction:	No
Certification:	CE: Yes    RoHS: N/A    WEEE: N/A
Colour/Finish:	High Gloss White
RAL No:	9016
Product Material:	Steel
Heat Element Wattage:	Not Applicable
Heating Element Wattage Compatible:	N/A
BTU Outputs:	30°C / 1144    50°C / 2209    60°C / 2798
Thermal Outputs: (Watts)	30°C / 335    50°C / 647    60°C / 820
Pipe Centres - If Vertical:	
Pipe Centres - If Horizontal:	676
Max Projection:	110mm
Tube Diameter:	
Packaging Volume (L):	
Wall to Centre of Tappings:	N/A
Floor to Centre of Tappings:	51
Dual Fuel:	N/A
IP Rating:	