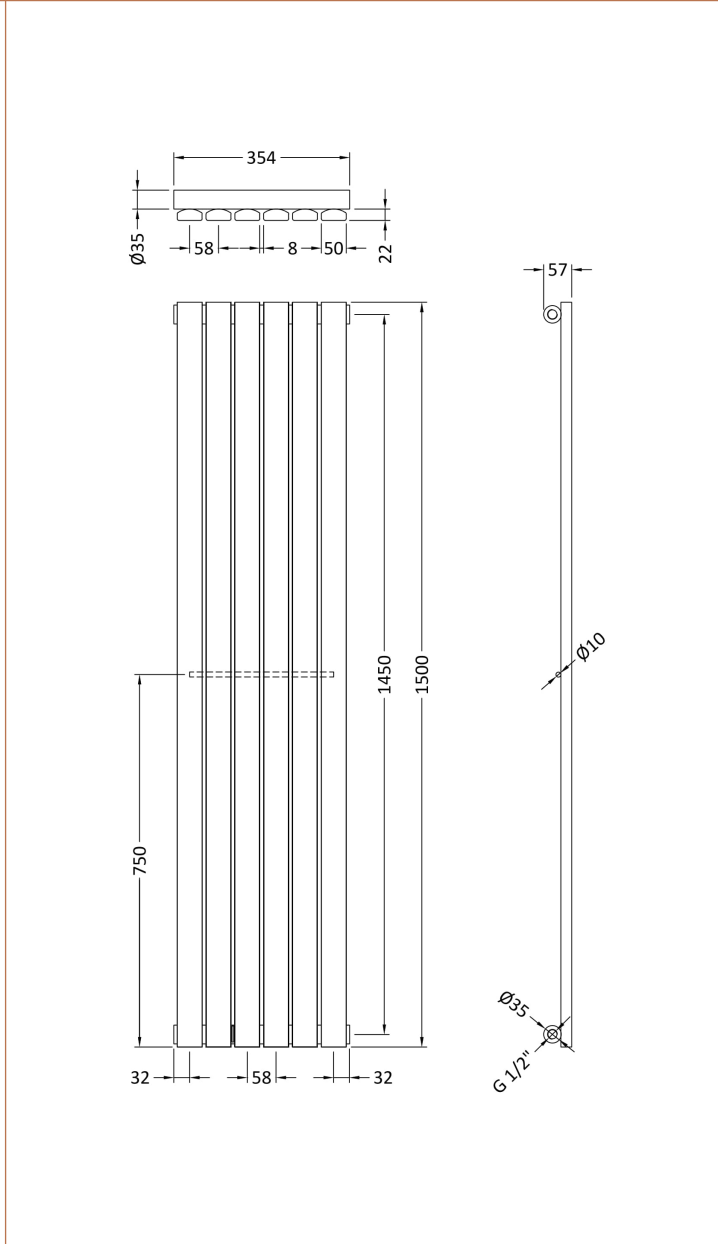


**Sales Code:** HLW41

**Description:** Sloane Single Panel Radiator 1500X354



### Product Dimensions

Height (mm):	1500
Width (mm):	354
Depth (mm):	57
Length (mm):	57
Nett Weight (kg):	19.15

### Packaging Dimensions

Height (mm):	90
Width (mm):	415
Length (mm):	1565
Gross Weight (kg):	19.15

### Packaging Data

Box Colour:	White Cardboard Shrinkwrapped
Box Qty:	1
Label Size:	100 x 50
Label Colour:	White Label
Label Qty:	2

### Outer Box Dimensions (If Applicable)

Height (mm):	
Width (mm):	
Length (mm):	
Gross Weight (kg):	
Barcode:	5055146192169

### Product Details

Country of Origin:	China
Fitting Instruction:	No
Certification:	CE & UKCA: Yes    RoHS: N/A    WEEE: N/A
Colour/Finish:	White
RAL No:	9016
Product Material:	Steel
Heat Element Wattage:	Not Applicable
Heating Element Wattage Compatible:	N/A
BTU Outputs:	30°C / 1051    50°C / 2041    60°C / 2585
Thermal Outputs: (Watts)	30°C / 308    50°C / 598    60°C / 758
Pipe Centres - If Vertical:	444mm
Pipe Centres - If Horizontal:	N/A
Max Projection:	80mm
Tube Diameter:	N/A
Packaging Volume (L):	
Wall to Centre of Tappings:	N/A
Floor to Centre of Tappings:	85
Dual Fuel:	N/A
IP Rating:	