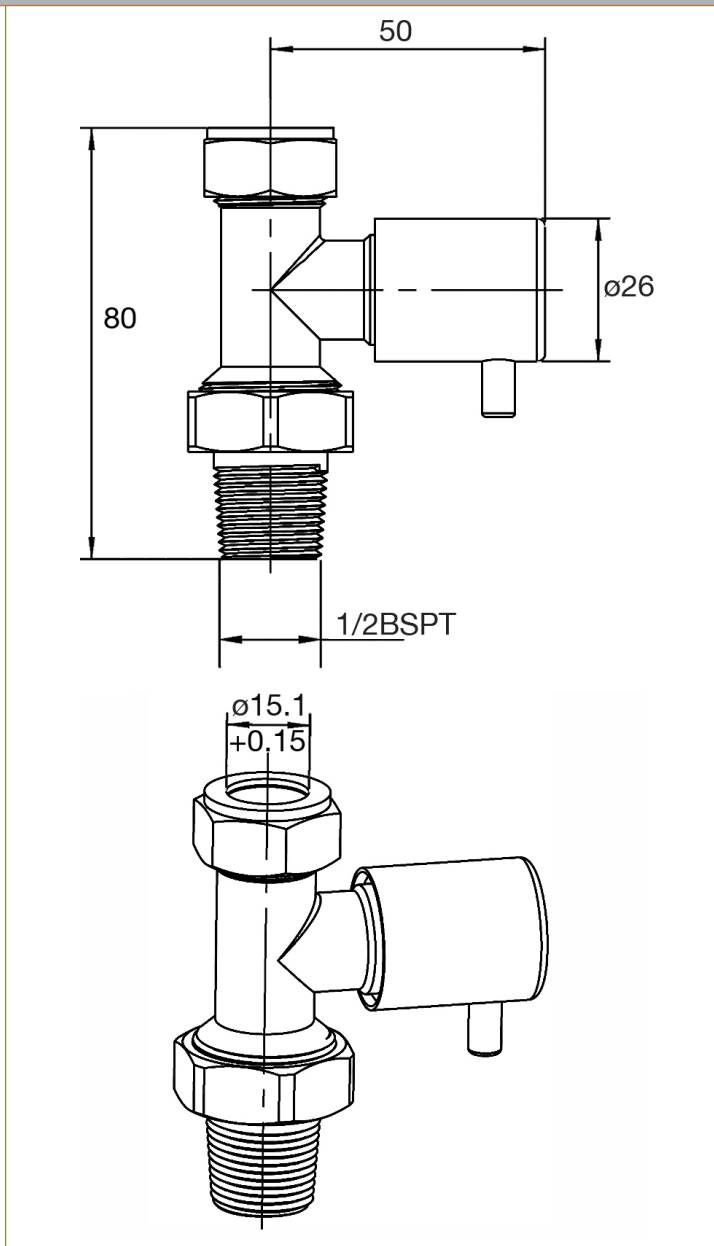


Sales Code: HT327

Description: Minimalist Radiator Valves - Straight



Product Dimensions

Height (mm):	80
Width (mm):	26
Depth (mm):	70
Length (mm):	
Nett Weight (kg):	0.82

Packaging Dimensions

Height (mm):	55
Width (mm):	100
Length (mm):	165
Gross Weight (kg):	0.82

Packaging Data

Box Colour:	White Cardboard Box
Box Qty:	1
Label Size:	100 x 50
Label Colour:	White Label
Label Qty:	1

Outer Box Dimensions (If Applicable)

Height (mm):	
Width (mm):	
Length (mm):	
Gross Weight (kg):	
Barcode:	5055146148951

Product Details

Country of Origin:	China		
Fitting Instruction:	No		
Certification:	CE & UKCA: N/A	RoHS: N/A	WEEE: N/A
Colour/Finish:	Chrome		
RAL No:	N/A		
Product Material:	Steel		
Heat Element Wattage:	Not Applicable		
Heating Element Wattage Compatible:	N/A		
BTU Outputs:	30°C / N/A	50°C / N/A	60°C /
Thermal Outputs: (Watts)	30°C / N/A	50°C / N/A	60°C /
Pipe Centres - If Vertical:	N/A		
Pipe Centres - If Horizontal:	N/A		
Max Projection:			
Tube Diameter:	N/A		
Packaging Volume (L):	N/A		
Wall to Centre of Tappings:	N/A		
Floor to Centre of Tappings:	N/A		
Dual Fuel:	N/A		
IP Rating:			