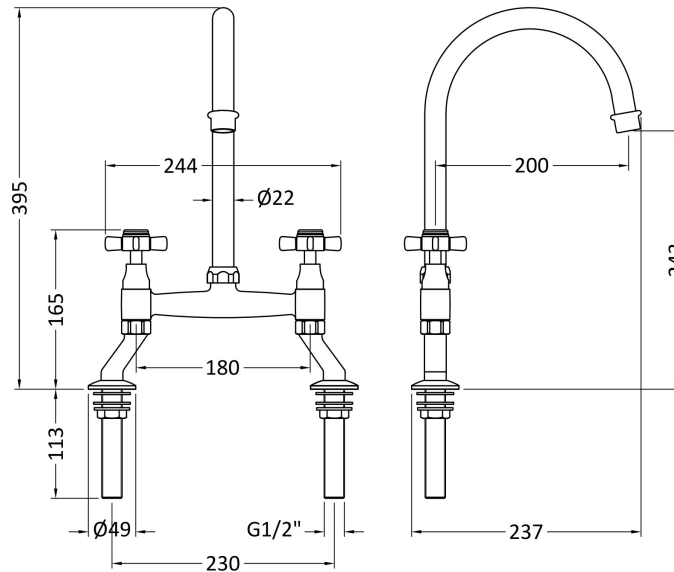


Sales Code: KB606

Description: Bridge Sink Mixer Crosshead



**Product Dimensions**

|                   |     |
|-------------------|-----|
| Height (mm):      | 510 |
| Width (mm):       | 235 |
| Depth (mm):       | 200 |
| Length (mm):      |     |
| Nett Weight (kg): | 1.2 |

**Packaging Dimensions**

|                    |     |
|--------------------|-----|
| Height (mm):       | 75  |
| Width (mm):        | 320 |
| Depth (mm):        | 410 |
| Gross Weight (kg): | 1.7 |

**Packaging Data**

|               |                     |
|---------------|---------------------|
| Box Colour:   | Brown Cardboard Box |
| Box Qty:      | 1                   |
| Label Size:   | 100 x 50            |
| Label Colour: | White Label         |
| Label Qty:    | 1                   |

**Outer Box Dimensions (If Applicable)**

|                    |               |
|--------------------|---------------|
| Height (mm):       | 395           |
| Width (mm):        | 335           |
| Depth (mm):        | 425           |
| Length (mm):       |               |
| Gross Weight (kg): | 9             |
| Barcode:           | 5056678401088 |

**Product Details**

|                              |   |
|------------------------------|---|
| Country of Origin:           | China   |
| Fitting Instruction:         | No  |
| Product Material:            | Brass   |
| Control Type:                | Manual  |
| Waste Included:              | Waste Not Included  |
| Waste Type:                  | Not Applicable  |
| WRAS Approval: No            | Approval No: N/A  |
| Valve/Cartridge Type:        | 1/4 Turn Ceramic Disc   |
| Colour/Finish:               | Brushed Nickel  |
| Mount Type:                  | Deck  |
| Operating Pressure (bar):    | 0.5   |
| Flow Rates: (Litres Per Min) | 0.1 bar: 4.3 0.5 bar: 8.5 1 bar: 12.2 2 bar: 17.4 3 bar: 21.5 |
| Pipe Size:                   | 15 mm   |
| Pipe Centres:                | N/A   |