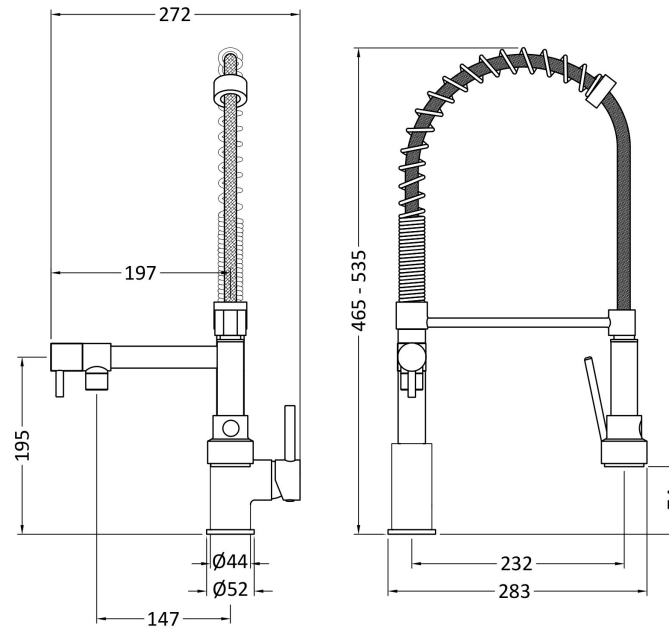


Sales Code: KC311T

Description: Tall Side Kitchen Tap Rinser & Pan Fil



Product Dimensions

Height (mm):	578
Width (mm):	227
Depth (mm):	311
Length (mm):	
Nett Weight (kg):	3.4

Packaging Dimensions

Height (mm):	870
Width (mm):	355
Depth (mm):	250
Gross Weight (kg):	3.8

Packaging Data

Box Colour:	White Cardboard Box
Box Qty:	1
Label Size:	100 x 50
Label Colour:	White Label
Label Qty:	2

Outer Box Dimensions (If Applicable)

Height (mm):	230
Width (mm):	530
Depth (mm):	450
Length (mm):	
Gross Weight (kg):	17
Barcode:	5056211897590

Product Details

Country of Origin:	China
Fitting Instruction:	No
Product Material:	Brass/ABS
Control Type:	Manual
Waste Included:	Waste Not Included
Waste Type:	Not Applicable
WRAS Approval: No	Approval No: N/A
Valve/Cartridge Type:	1/4 Turn Ceramic Disc, Single Lever (
Colour/Finish:	Chrome
Mount Type:	Deck
Operating Pressure (bar):	1
Flow Rates: (Litres Per Min)	0.1 bar: N/A 0.5 bar: N/A 1 bar: 5.5 2 bar: 8.5 3 bar: 10
Pipe Size:	15 mm
Pipe Centres:	N/A