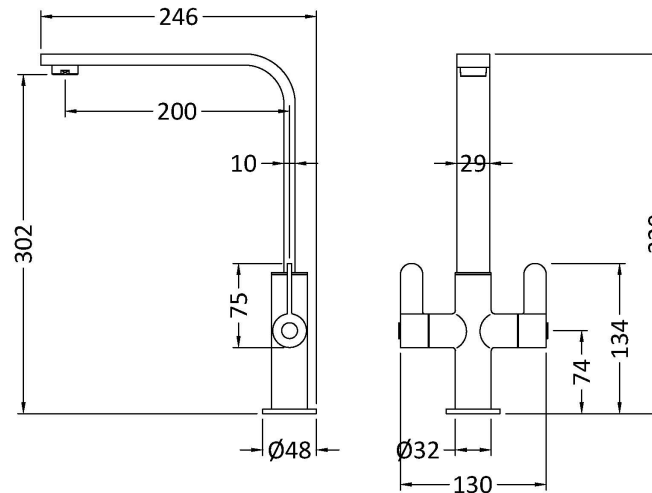
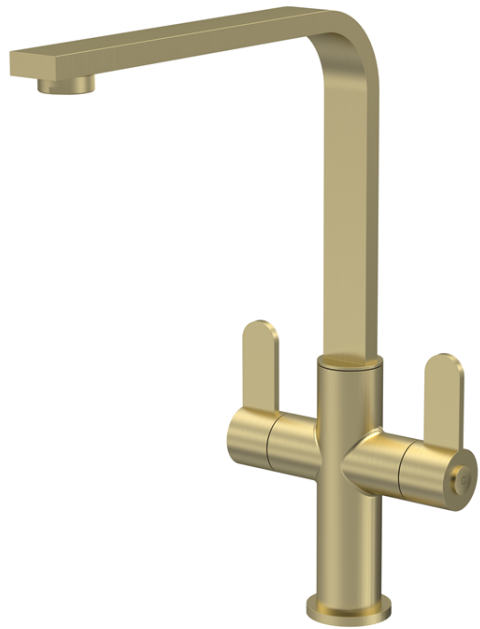


Sales Code: KCH805DL

Description: Churni Mono Dual Lever Brushed Brass



**Product Dimensions**

Height (mm):	320
Width (mm):	130
Depth (mm):	246
Length (mm):	
Nett Weight (kg):	0.65

**Packaging Dimensions**

Height (mm):	70
Width (mm):	265
Depth (mm):	415
Gross Weight (kg):	1.15

**Packaging Data**

Box Colour:	Brown Cardboard Box
Box Qty:	1
Label Size:	100 x 50
Label Colour:	White Label
Label Qty:	1

**Outer Box Dimensions (If Applicable)**

Height (mm):	370
Width (mm):	280
Depth (mm):	370
Length (mm):	
Gross Weight (kg):	6
Barcode:	5056678400586

**Product Details**

Country of Origin:	China
Fitting Instruction:	No
Product Material:	Brass
Control Type:	Manual
Waste Included:	Waste Not Included
Waste Type:	Not Applicable
WRAS Approval: No	Approval No: N/A
Valve/Cartridge Type:	1/4 Turn Ceramic Disc
Colour/Finish:	Brushed Brass
Mount Type:	Deck
Operating Pressure (bar):	0.5
Flow Rates: (Litres Per Min)	0.1 bar: 2.7   0.5 bar: 4.8   1 bar: 6.5   2 bar: 9   3 bar: 10.9
Pipe Size:	15 mm
Pipe Centres:	N/A