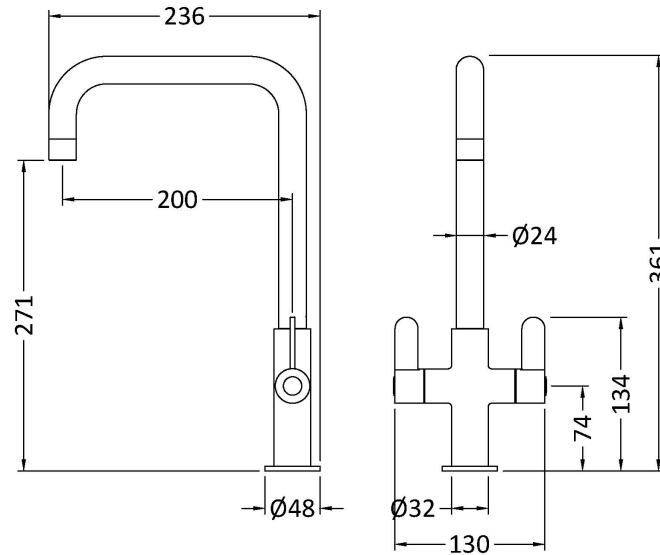


**Sales Code:** KSI605DL

**Description:** Kosi Mono Dual Lever Brushed Nickel



### Product Dimensions

|                   |      |
|-------------------|------|
| Height (mm):      | 361  |
| Width (mm):       | 130  |
| Depth (mm):       | 236  |
| Length (mm):      |      |
| Nett Weight (kg): | 0.62 |

### Packaging Dimensions

|                    |      |
|--------------------|------|
| Height (mm):       | 70   |
| Width (mm):        | 265  |
| Depth (mm):        | 415  |
| Gross Weight (kg): | 1.12 |

### Packaging Data

|               |                     |
|---------------|---------------------|
| Box Colour:   | Brown Cardboard Box |
| Box Qty:      | 1                   |
| Label Size:   | 100 x 50            |
| Label Colour: | White Label         |
| Label Qty:    | 1                   |

### Outer Box Dimensions (If Applicable)

|                    |               |
|--------------------|---------------|
| Height (mm):       | 370           |
| Width (mm):        | 280           |
| Depth (mm):        | 370           |
| Length (mm):       |               |
| Gross Weight (kg): | 6             |
| Barcode:           | 5056678400692 |

### Product Details

|                           |                       |
|---------------------------|-----------------------|
| Country of Origin:        | China                 |
| Fitting Instruction:      | No                    |
| Product Material:         | Brass                 |
| Control Type:             | Manual                |
| Waste Included:           | Waste Not Included    |
| Waste Type:               | Not Applicable        |
| WRAS Approval: No         | Approval No: N/A      |
| Valve/Cartridge Type:     | 1/4 Turn Ceramic Disc |
| Colour/Finish:            | Brushed Nickel        |
| Mount Type:               | Deck                  |
| Operating Pressure (bar): | 0.5                   |

|                              |              |            |            |           |             |
|------------------------------|--------------|------------|------------|-----------|-------------|
| Flow Rates: (Litres Per Min) | 0.1 bar: 4.1 | 0.5 bar: 7 | 1 bar: 9.5 | 2 bar: 13 | 3 bar: 15.9 |
| Pipe Size:                   | 15 mm        |            |            |           |             |
| Pipe Centres:                | N/A          |            |            |           |             |