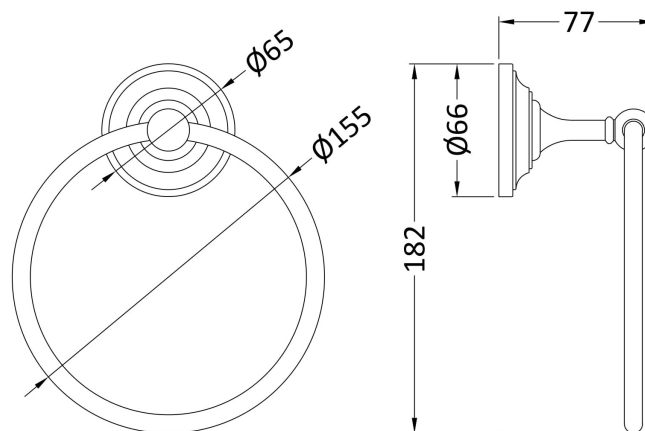


Sales Code: LH302

Description: Traditional Towel Ring



Product Dimensions

Length (mm):	
Width (mm):	155
Height (mm):	155
Depth (mm):	77
Nett Weight (kg):	0.31

Packaging Dimensions

Height (mm):	180
Width (mm):	170
Depth (mm):	60
Gross Weight (kg):	0.31

Packaging Data

Box Colour:	White Cardboard Box
Box Qty:	1
Label Size:	100 x 50
Label Colour:	White Label
Label Qty:	2

Outer Box Dimensions (If Applicable)

Height (mm):	320
Width (mm):	855
Length (mm):	
Depth (mm):	
Gross Weight (kg):	16
Barcode:	5055146111825

Product Details

Country of Origin:	China
Fitting Instruction:	No
CE & UKCA:	N/A
Product Material:	Brass
Heating Element Wattage:	Not Applicable
Colour/Finish:	Chrome
Product Diameter:	Not Applicable
Connection Size:	Not Applicable