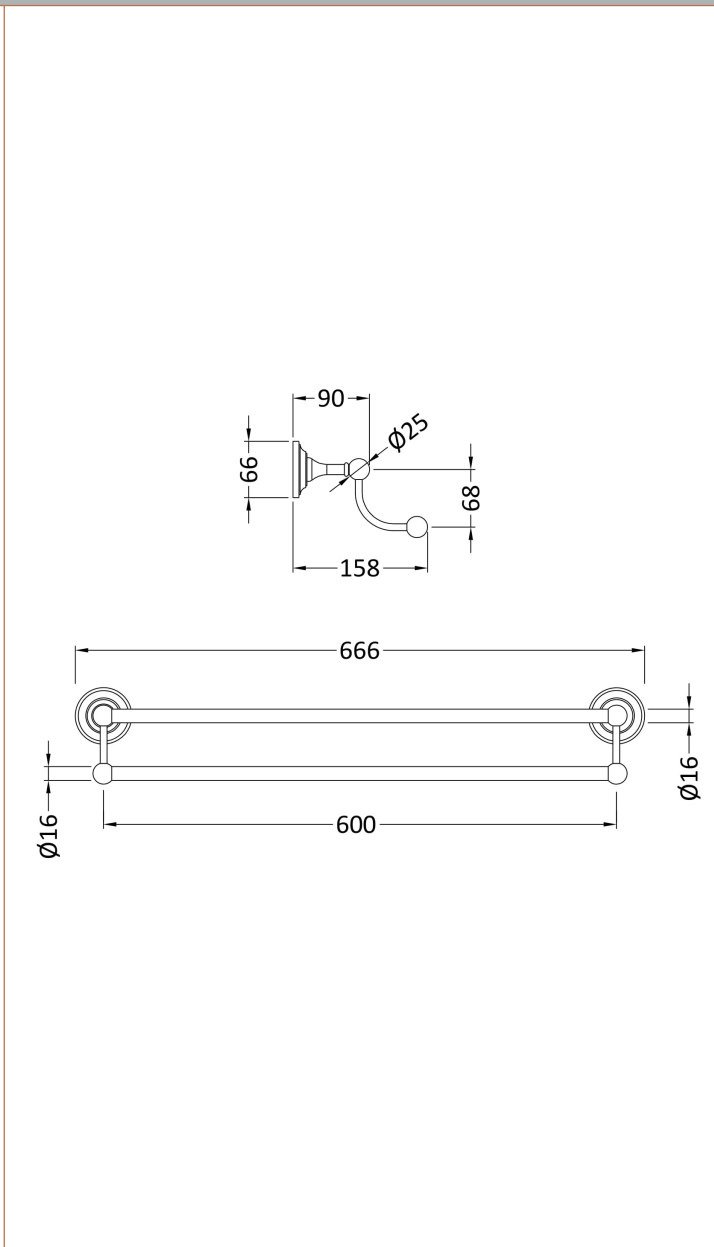


**Sales Code:** LH307

**Description:** Traditional Double Towel Rail



### Product Dimensions

Length (mm):	
Width (mm):	666
Height (mm):	66
Depth (mm):	158
Nett Weight (kg):	1

### Packaging Dimensions

Height (mm):	620
Width (mm):	105
Depth (mm):	75
Gross Weight (kg):	1

### Packaging Data

Box Colour:	White Cardboard Box
Box Qty:	1
Label Size:	100 x 50
Label Colour:	White Label
Label Qty:	2

### Outer Box Dimensions (If Applicable)

Height (mm):	
Width (mm):	
Length (mm):	
Depth (mm):	
Gross Weight (kg):	20
Barcode:	5055146105558

### Product Details

Country of Origin:	China
Fitting Instruction:	No
CE Certification:	N/A
Product Material:	Brass
Heating Element Wattage:	Not Applicable
Colour/Finish:	Chrome
Product Diameter:	Not Applicable
Connection Size:	Not Applicable