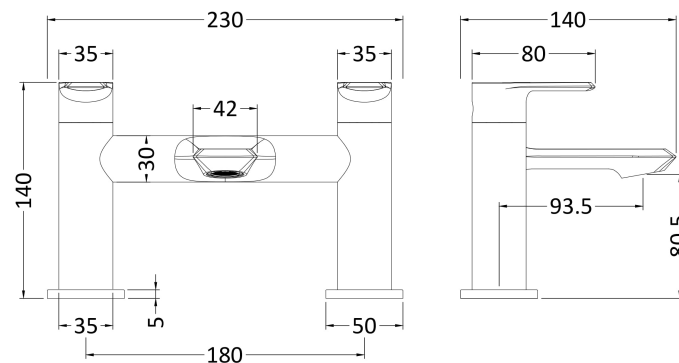


Sales Code: LIM303

Description: Limit Deck Mounted Bath Filler



### Product Dimensions

Height (mm):	140
Width (mm):	230
Depth (mm):	140
Length (mm):	
Nett Weight (kg):	1.5

### Packaging Dimensions

Height (mm):	165
Width (mm):	285
Depth (mm):	240
Gross Weight (kg):	2.02

### Packaging Data

Box Colour:	White Cardboard Box
Box Qty:	1
Label Size:	100 x 50
Label Colour:	White Label
Label Qty:	1

### Outer Box Dimensions (If Applicable)

Height (mm):	
Width (mm):	
Depth (mm):	
Length (mm):	
Gross Weight (kg):	
Barcode:	5056211850458

### Product Details

Country of Origin:	United Kingdom
Fitting Instruction:	No
Product Material:	Brass
Control Type:	Manual
Waste Included:	Waste Not Included
Waste Type:	Not Applicable
WRAS Approval: No	Approval No:
Valve/Cartridge Type:	1/4 Turn Ceramic Disc
Colour/Finish:	Chrome
Mount Type:	Deck
Operating Pressure (bar):	0.2
Flow Rates: (Litres Per Min)	0.1 bar: 7.5 0.5 bar: 28.3 1 bar: 41.2 2 bar: 59.9 3 bar: 70.8
Pipe Size:	3/4"
Pipe Centres:	180