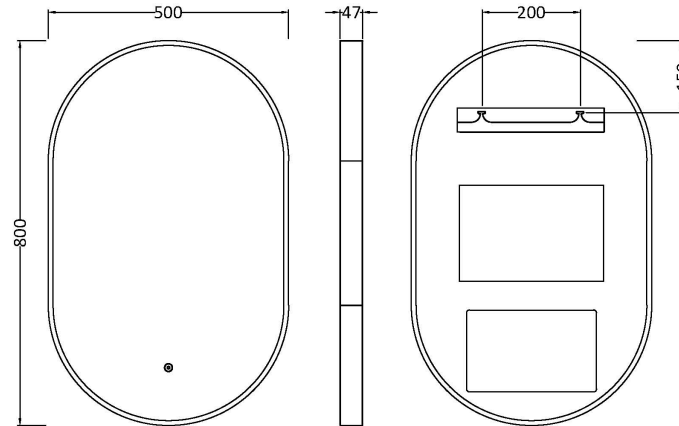


Sales Code: LQ762

Description: Led Mirror H-800 X W-500



### Product Dimensions

Height (mm):	800
Width (mm):	500
Depth (mm):	47
Nett Weight (kg):	6.5

### Packaging Dimensions

Height (mm):	105
Width (mm):	600
Depth (mm):	900
Gross Weight (kg):	7

### Packaging Data

Box Colour:	Brown Cardboard Box - Printed
Box Qty:	1
Label Size:	x
Label Colour:	
Label Qty:	

### Outer Box Dimensions (If Applicable)

Height (mm):	
Width (mm):	
Depth (mm):	
Gross Weight (kg):	
Barcode:	5056678477922

### Product Details

Country of Origin:	China
Fitting Instruction:	No
Certification: CE & UKCA:	FSC: No WEEE: Yes RoHS: Yes
EMC: Yes	LYD: Yes ECOMP: ECIRC:
Product Material:	Aluminium
Colour/Finish:	Brushed Brass
No of Shelves:	0
Fixings Included:	Yes
Light Power Source:	Mains Supply
No of Lights:	2
Bulb Type:	Led 6000K
Voltage:	12
Operation Method:	Touch Sensor
Bulb Watt:	21
Product Features:	Demister
Illuminated:	Yes