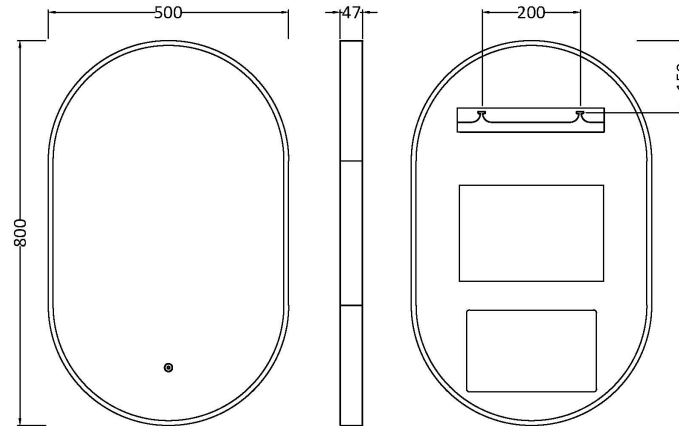


Sales Code: LQ763

Description: Led Mirror H-800 X W-500



Product Dimensions

| | |
|-------------------|-----|
| Height (mm): | 800 |
| Width (mm): | 500 |
| Depth (mm): | 47 |
| Nett Weight (kg): | 6.5 |

Packaging Dimensions

| | |
|--------------------|-----|
| Height (mm): | 105 |
| Width (mm): | 600 |
| Depth (mm): | 900 |
| Gross Weight (kg): | 7 |

Packaging Data

| | |
|---------------|-------------------------------|
| Box Colour: | Brown Cardboard Box - Printed |
| Box Qty: | 1 |
| Label Size: | x |
| Label Colour: | |
| Label Qty: | |

Outer Box Dimensions (If Applicable)

| | |
|--------------------|---------------|
| Height (mm): | |
| Width (mm): | |
| Depth (mm): | |
| Gross Weight (kg): | |
| Barcode: | 5056678477908 |

Product Details

| | |
|---------------------------|-----------------------------|
| Country of Origin: | China |
| Fitting Instruction: | No |
| Certification: CE & UKCA: | FSC: No WEEE: Yes RoHS: Yes |
| EMC: Yes | LYD: Yes ECOMP: ECIRC: |
| Product Material: | Aluminium |
| Colour/Finish: | Stainless Steel |
| No of Shelves: | 0 |
| Fixings Included: | Yes |
| Light Power Source: | Mains Supply |
| No of Lights: | 2 |
| Bulb Type: | Led 6000K |
| Voltage: | 12 |
| Operation Method: | Touch Sensor |
| Bulb Watt: | 21 |
| Product Features: | Demister |
| Illuminated: | Yes |