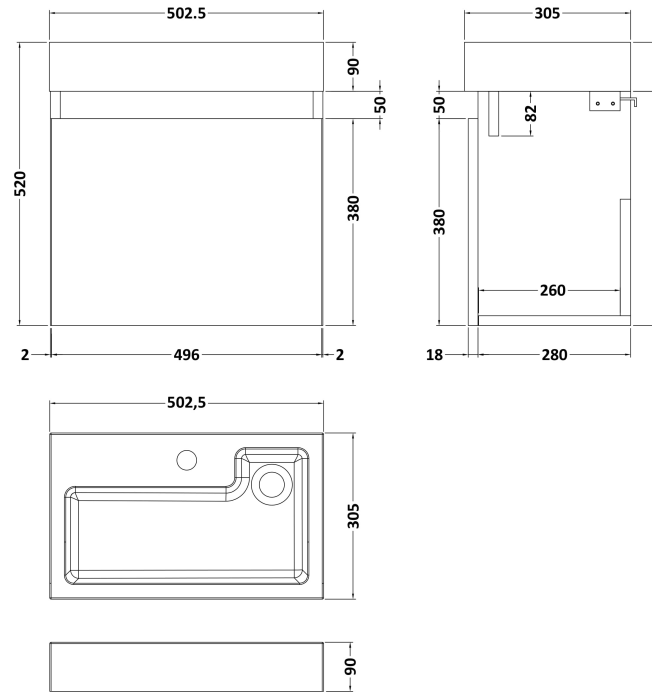


Sales Code: MER019

Description: 500X300 Wh 1-Door Vanity & Basin

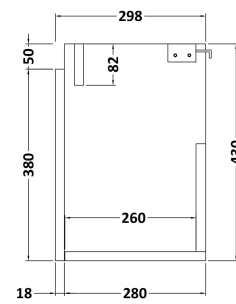
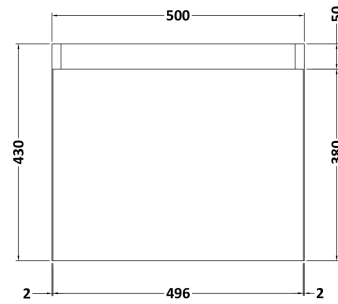
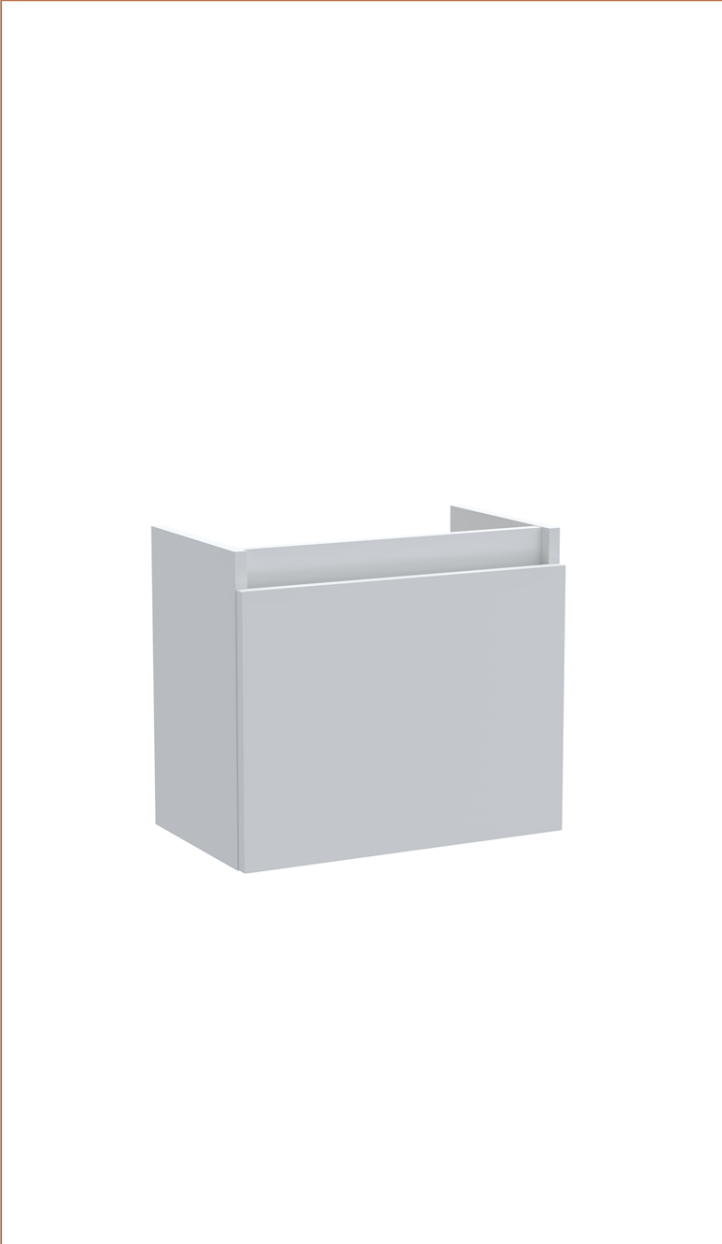


Packaging Details

Barcode: 5056462601045

Sales Code: MZZ481

Description: 500X300 Wh 1-Door Unit



Product Dimensions

Height (mm):	430
Width (mm):	500
Depth (mm):	298
Nett Weight (kg):	13

Packaging Dimensions

Height (mm):	450
Width (mm):	520
Depth (mm):	320
Gross Weight (kg):	13.5

Packaging Data

Box Colour:	Brown Cardboard Box
Box Qty:	1
Label Size:	50 x 100
Label Colour:	White Label
Label Qty:	2

Outer Box Dimensions (If Applicable)

Height (mm):	
Width (mm):	
Depth (mm):	
Gross Weight (kg):	
Barcode:	5056211874775

Product Details

Country of Origin:	China
Fitting Instruction:	No
CE & UKCA:	N/A
FSC Certified Materials:	Yes
Colour:	Gloss Grey Mist
Construction Method:	Cam & Wood Dowel
Construction Type:	Rigid
Cabinet Finish:	MFC Gloss
Fascia Finish:	MFC Gloss
Cabinet Thickness (mm):	18
Fascia Thickness (mm):	18
Drawer Included:	No
Drawer Type:	Not Applicable
No of Shelves:	0
Hinge Type:	95 Degree Clip-On Soft Close
Hinge Included:	Yes
Adjustable Legs:	No, Not Required
Fixings Included:	Yes
Handle Style:	Not Applicable
Waste Shroud:	Not Applicable
Handle Included:	No, Not Required
Handle Type:	Not Applicable

