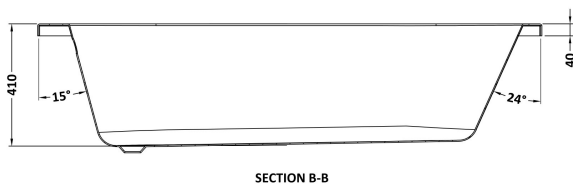
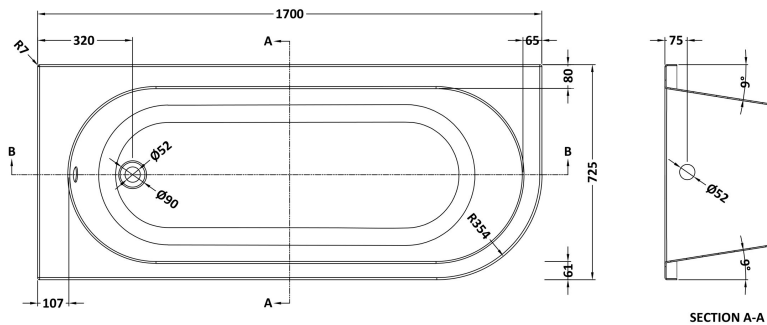
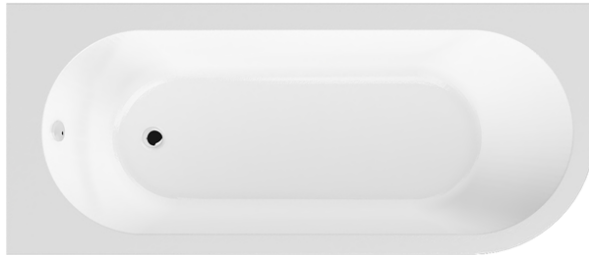


Sales Code: NBH209L

Description: Lh Btw Corner Bath & Legs (No Panel)



Product Dimensions

Length (mm):	725
Width (mm):	1700
Depth (mm):	410
Nett Weight (kg):	28

Packaging Dimensions

Length (mm):	1700
Width (mm):	725
Depth (mm):	400
Gross Weight (kg):	28

Packaging Data

Box Colour:	Brown Cardboard Sleeve
Box Qty:	1
Label Size:	80 x 40
Label Colour:	White Label
Label Qty:	2

Outer Box Dimensions (If Applicable)

Length (mm):	
Width (mm):	
Height (mm):	
Gross Weight (kg):	
Barcode:	5055275894538

Product Details

Country of Origin:	Egypt
Fitting Instruction:	No
Certification:	FSC: No CE & UKCA: Yes
Material Colour Reference:	European White
Product Material:	Acrylic
Material Thickness:	4mm
Volume (Ltr):	195L
Displaced Capacity:	120L
Leg Set Included:	Legset Included
Waste Included:	Waste Not Included
Drilled/Undrilled:	Undrilled For Taps
Includes Grips:	Not Applicable
Embossed:	No
No of Tapholes:	None
Anti-Slip:	No